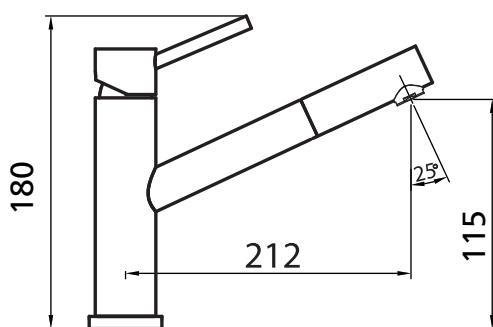


Oliveri®

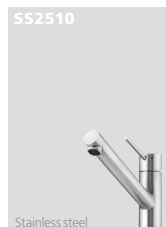
Model: SS2515



FEATURES AND BENEFITS

- **WELS 4 star rating**
4 Star water efficiency rating, 7.5L per minute.
- **Stainless steel**
Modern design and durable finish to suit all kitchens.
- **10 year warranty**
Covered by Oliveri's 10 year warranty (5 years parts & labour plus an additional 5 years parts only).
- **Filtered water**
Connect an Oliveri inline filtration system to any Essente mixer to enjoy fresh tasting water in your home.
- **Watermark**
Oliveri mixers carry the Watermark logo, confirming they comply with Australian standards.

OTHER MODELS YOU MAY LIKE



MATCHING ACCESSORIES



SPECIFICATIONS

Description

Oliveri Essente stainless steel swivel pull out mixer

Mixer Height

180 mm

WELS Rating

4 star water efficiency
7.5L per minute

Finish Stainless steel

Cartridge Size 35 mm

Cartridge Type Ceramic disc

EAN 9324974012212

Spout height 115 mm

Max. operating pressure 500 kpa

Carton Size 500 x 310 x 75 mm

Weight 3 kg

Warranty 10 Year Warranty: 5 years only (parts & labour) plus an additional 5 years on the Cartridge (parts only)
Refer to oliveri.com.au for full warranty details



For more information call **1300 137 465** or visit **oliveri.com.au**