



# GAS-ELECTRIC UPRIGHT COOKER // 90cm

SCU900S

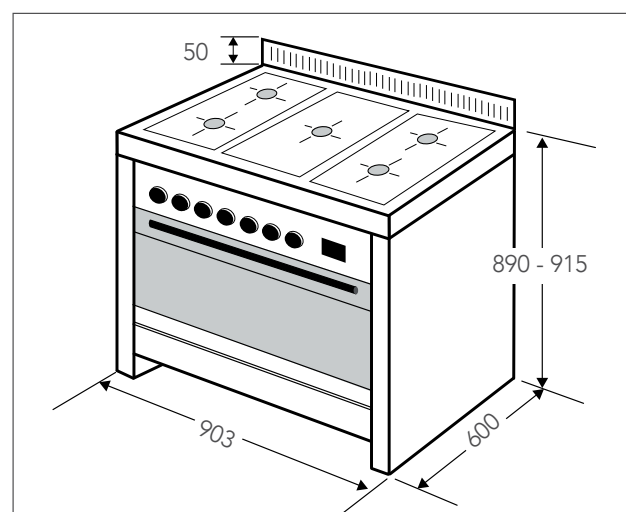


- **8 Multi-function oven** - Available in stainless steel and a range of exciting colours.
- **5 burner gas cooktop** - With heavy duty cast iron trivets.
- **Centre Wok Burner** - High efficiency burner (15Mj).
- **Storage/warming compartment** - Store away racks and trays not being used.

**INSTALLATION BY A QUALIFIED TECHNICIAN** Oven requires connection with a dedicated circuit from socket to main switchboard. Refer qualified technician to our product manual. Natural Gas ready and LPG jets supplied.

**CLEANING AND MAINTENANCE** Easy clean enamel interior. Clean stainless steel using only recommended stainless steel cleaning products. No abrasives, corrosive detergents, bleaches or acids are required.

- **Fully Programmable Electronic Timer** - Set start/finish time; the oven will switch on and off as set.
- **Triple Glazed Oven Door** - cool-touch door due to ventilation through the 3 panes. Inner pane reflects the heat back into the oven. Glass panels are easily removed for cleaning.
- **Twin Fan Forced** - Hot air is distributed evenly inside the oven.
- **XL Cavity** - 121L gross oven cavity.
- **Flame Failure Safety Device** - Senses if the flame has been extinguished and will disconnect gas flow.



\*Limited Stock. Special order only, requires 16 to 20 weeks to deliver.

## Functions & Equipment

- 8 Functions: Twin Fan Forced, Twin Fan Assisted, Fan & Grill, Grill, Fan Assist + Bottom Element, Conventional Oven, Defrosting, Oven Light
- Fully programmable electronic timer
- Triple glazed oven door
- 4 x adjustable feet
- 1 x wire rack
- Easy clean enamel
- Twin fans
- Storage/warming compartment
- Centre wok burner
- Electronic ignition
- Flame failure safety device
- Heavy duty cast iron trivets
- 2 x oven lights
- Telescopic runner with baking tray

## Technical Data

- Material: Stainless Steel
- XL Oven Cavity: volume: 121L gross
- Rated Input: 240V / 50-60Hz
- 1 x Wok Burner
- 2 x Semi-rapid Burner
- 1 x Auxiliary Burner
- 1 x Rapid Burner
- 20 amp connection required

**121L**



Scandium® kitchen appliances covered by a 3 Years Warranty, and is serviced by our experienced Australian Customer Care network.

Product specifications subject to change without notice, images are for illustrative purposes only. Please check final product details with your retailer. © 2017. Axis Group International Pty Ltd.

AUSTRALIA 8/3-4 Anzed Court, Mulgrave VIC 3170.  
Phone 1300 881 693 Email [info@scandiumappliances.com.au](mailto:info@scandiumappliances.com.au)  
Web [www.scandiumappliances.com.au](http://www.scandiumappliances.com.au)

NEW ZEALAND 5 Tolich Place, Henderson, Auckland 0610.  
Phone 0800 200 510 Email [info.parex@emerson.com](mailto:info.parex@emerson.com)  
Web [www.parex.co.nz](http://www.parex.co.nz)



# GAS-ELECTRIC UPRIGHT COOKER // 90cm

SCU900B

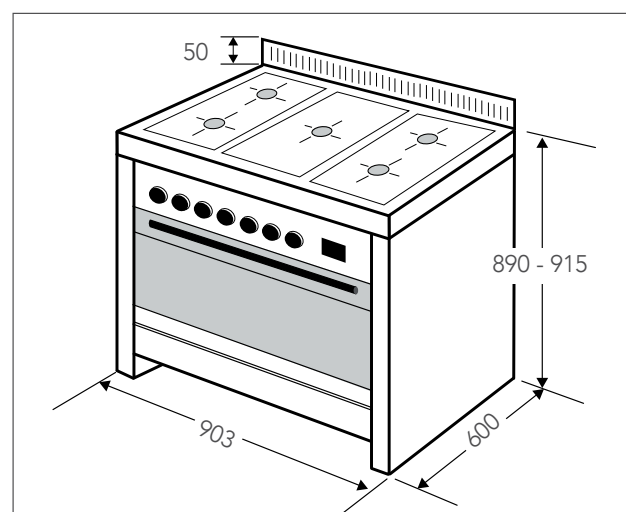


- **8 Multi-function oven** - Available in stainless steel and a range of exciting colours.
- **5 burner gas cooktop** - With heavy duty cast iron trivets.
- **Centre Wok Burner** - High efficiency burner (15Mj).
- **Storage/warming compartment** - Store away racks and trays not being used.

**INSTALLATION BY A QUALIFIED TECHNICIAN** Oven requires connection with a dedicated circuit from socket to main switchboard. Refer qualified technician to our product manual. Natural Gas ready and LPG jets supplied.

**CLEANING AND MAINTENANCE** Easy clean enamel interior. Clean stainless steel using only recommended stainless steel cleaning products. No abrasives, corrosive detergents, bleaches or acids are required.

- **Fully Programmable Electronic Timer** - Set start/finish time; the oven will switch on and off as set.
- **Triple Glazed Oven Door** - cool-touch door due to ventilation through the 3 panes. Inner pane reflects the heat back into the oven. Glass panels are easily removed for cleaning.
- **Twin Fan Forced** - Hot air is distributed evenly inside the oven.
- **XL Cavity** - 121L gross oven cavity.
- **Flame Failure Safety Device** - Senses if the flame has been extinguished and will disconnect gas flow.



\*Limited Stock. Special order only, requires 16 to 20 weeks to deliver.

## Functions & Equipment

- 8 Functions: Twin Fan Forced, Twin Fan Assisted, Fan & Grill, Grill, Fan Assist + Bottom Element, Conventional Oven, Defrosting, Oven Light
- Fully programmable electronic timer
- Triple glazed oven door
- 4 x adjustable feet
- 1 x wire rack
- Easy clean enamel
- Twin fans
- Storage/warming compartment
- Centre wok burner
- Electronic ignition
- Flame failure safety device
- Heavy duty cast iron trivets
- 2 x oven lights
- Telescopic runner with baking tray

## Technical Data

- Material: Stainless Steel
- XL Oven Cavity: volume: 121L gross
- Rated Input: 240V / 50-60Hz
- 1 x Wok Burner
- 2 x Semi-rapid Burner
- 1 x Auxiliary Burner
- 1 x Rapid Burner
- 20 amp connection required

**121L**



Scandium® kitchen appliances covered by a 3 Years Warranty, and is serviced by our experienced Australian Customer Care network.

Product specifications subject to change without notice, images are for illustrative purposes only. Please check final product details with your retailer. © 2017. Axis Group International Pty Ltd.

**AUSTRALIA** 8/3-4 Anzed Court, Mulgrave VIC 3170.  
Phone 1300 881 693 Email [info@scandiumappliances.com.au](mailto:info@scandiumappliances.com.au)  
Web [www.scandiumappliances.com.au](http://www.scandiumappliances.com.au)

**NEW ZEALAND** 5 Tolich Place, Henderson, Auckland 0610.  
Phone 0800 200 510 Email [info.parex@emerson.com](mailto:info.parex@emerson.com)  
Web [www.parex.co.nz](http://www.parex.co.nz)



# ELECTRIC BUILT-IN OVEN // 60cm

SCEO08



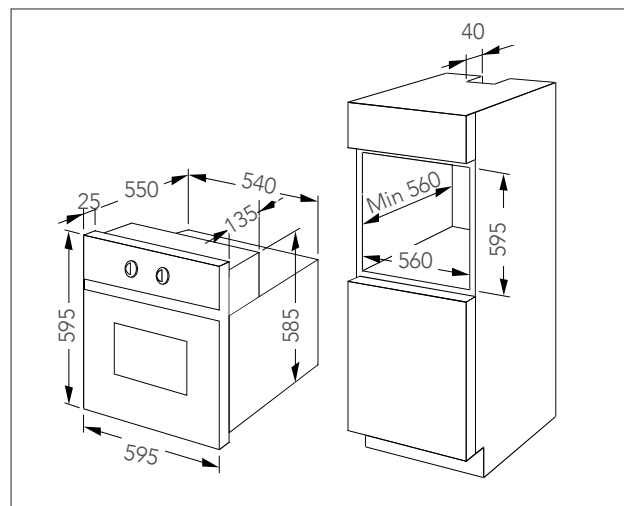
- **Sensor Timer** - programs cooking time and automatic oven switch off setting.
- **Retractable Dials** - flush fitting controls 'pop out' for use and push-in when finished.
- **Rapid Preheating** - heats to 150°C in 4 minutes, 20% faster than the standard heating time.
- **Defrosting** - perfect for defrosting meat, fish, bread or pastries.
- **Large capacity** - cavity designed to accommodate a large 73 litres gross.
- **Cool touch** - reflective glass on the inside of the door significantly reduces the temperature on the outside.
- **Super grill** - top element and grill element combined, provides intense heat which makes the grilling process faster and more efficient.

## 9 FUNCTIONS

- |   |                                     |
|---|-------------------------------------|
| Light                                   | Full grill                          |
| Rapid pre-heating                       | Bottom element                      |
| Defrosting (fan only)                   | Convection (top + bottom element)   |
| Top element + grill + fan (super grill) | Fan assisted (top + bottom element) |
| Top element + grill (super grill)       |                                     |

**INSTALLATION** Oven requires a dedicated 15 amp circuit hardwired connection to main switchboard. Refer your qualified technician to our product manual.

**CLEANING AND MAINTENANCE** Easy clean enamel interior. Clean stainless steel using only recommended stainless steel cleaning products. No abrasives, corrosive detergents, bleaches or acids are required.



Functions & Equipment	Technical Data	<b>73L</b>
<ul style="list-style-type: none"> <li>• 9 Multi Functions</li> <li>• Stainless steel finish</li> <li>• Electronic timer</li> <li>• Retractable dials</li> <li>• Rapid Pre-heating</li> <li>• Defrosting</li> <li>• Easy clean enamel interior</li> <li>• Oven mit hook on handle</li> <li>• Reflective inner door glass</li> <li>• 1x baking tray</li> <li>• 1 x grill rack</li> <li>• Triple glazed door</li> </ul>	<ul style="list-style-type: none"> <li>• Oven volume: 65L net / 73L gross</li> <li>• Total power: 2.9 kW</li> </ul>	



Scandium® kitchen appliances covered by a 3 Years Warranty, and is serviced by our experienced Australian Customer Care network.

Product specifications subject to change without notice, images are for illustrative purposes only. Please check final product details with your retailer. © 2017. Axis Group International Pty Ltd.

**AUSTRALIA** 8/3-4 Anzed Court, Mulgrave VIC 3170.  
Phone 1300 881 693 Email [info@scandiumappliances.com.au](mailto:info@scandiumappliances.com.au)  
Web [www.scandiumappliances.com.au](http://www.scandiumappliances.com.au)

**NEW ZEALAND** 5 Tolich Place, Henderson, Auckland 0610.  
Phone 0800 200 510 Email [info.parex@emerson.com](mailto:info.parex@emerson.com)  
Web [www.parex.co.nz](http://www.parex.co.nz)



# ELECTRIC BUILT-IN OVEN // 60cm

SCEO10



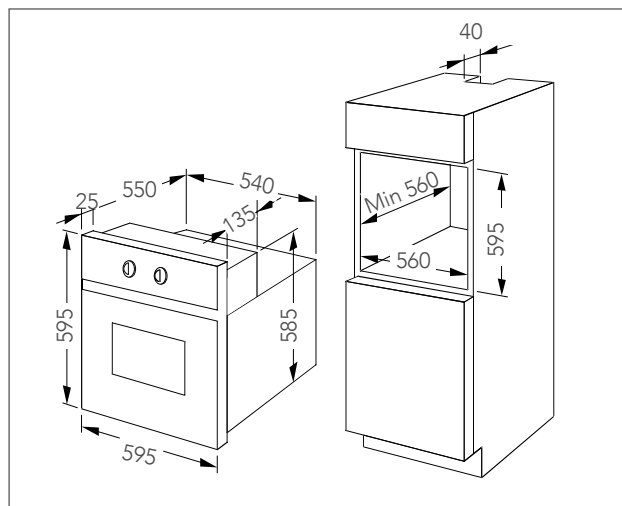
- **Sensor Timer** - programs cooking time and automatic oven switch off setting.
- **Retractable Dials** - flush fitting controls 'pop out' for use and push-in when finished.
- **Rapid Preheating** - heats to 150°C in 4 minutes, 20% faster than the standard heating time
- **Defrosting** - perfect for defrosting meat, fish, bread or pastries.
- **Large capacity** - cavity designed to accommodate a super large 73 litres gross.
- **Cool touch** - reflective glass on the inside of the door significantly reduces the temperature on the outside.
- **Super grill** - top element and grill element combined, provides intense heat which makes the grilling process faster and more efficient.

## 11 FUNCTIONS

- |   |   |
|---|---|
| Fan forced with circular element + bottom element (great for pizza) | Full grill                              |
| Fan assisted top + bottom element                                   | Top element + grill (super grill)       |
| Fan forced with circular element                                    | Top element + grill + fan (super grill) |
| Convection (top + bottom element)                                   | Defrosting (fan only)                   |
| Bottom element  | Rapid pre-heating                       |
|   | Light                                   |

**INSTALLATION** Oven requires a dedicated 15 amp circuit hardwired connection to main switchboard. Refer your qualified technician to our product manual.

**CLEANING AND MAINTENANCE** Easy clean enamel interior. Clean stainless steel using only recommended stainless steel cleaning products. No abrasives, corrosive detergents, bleaches or acids are required.



### Functions & Equipment

- 11 Multi Functions
- Stainless steel finish
- Electronic timer
- Retractable dials
- Rapid Pre-heating
- Defrosting
- Telescopic guides
- Side racks
- Easy clean enamel interior
- Reflective inner door glass
- 1 x baking tray
- 1 x grill rack
- Triple glazed door

### Technical Data

- Oven volume: 65L net / 73L gross
- Total power: 3.1 kW

**73L**



Scandium® kitchen appliances covered by a 3 Years Warranty, and is serviced by our experienced Australian Customer Care network.

Product specifications subject to change without notice, images are for illustrative purposes only. Please check final product details with your retailer. © 2017. Axis Group International Pty Ltd.

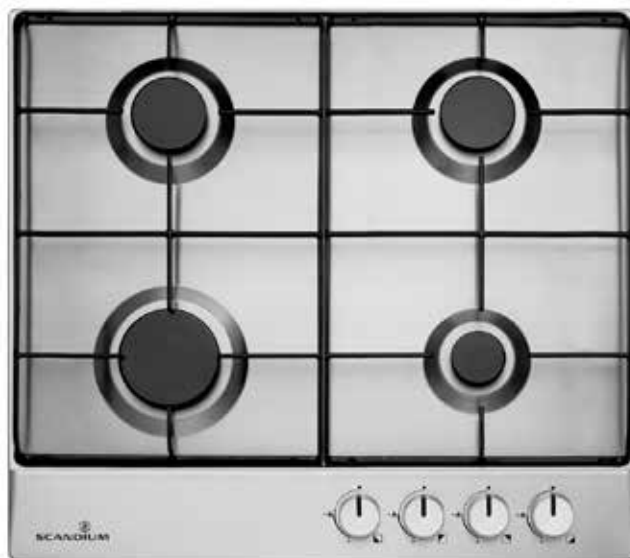
**AUSTRALIA** 8/3-4 Anzed Court, Mulgrave VIC 3170.  
Phone 1300 881 693 Email [info@scandiumappliances.com.au](mailto:info@scandiumappliances.com.au)  
Web [www.scandiumappliances.com.au](http://www.scandiumappliances.com.au)

**NEW ZEALAND** 5 Tolich Place, Henderson, Auckland 0610.  
Phone 0800 200 510 Email [info.parex@emerson.com](mailto:info.parex@emerson.com)  
Web [www.parex.co.nz](http://www.parex.co.nz)



# GAS COOKTOP / 4 BURNERS // 60cm

SCGT60

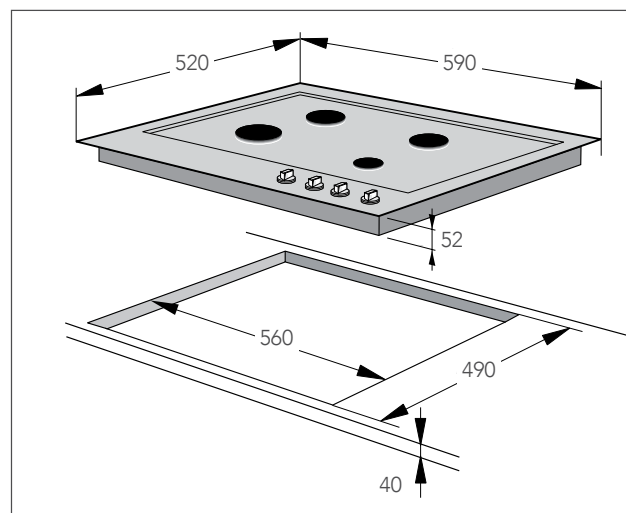


- **Ergonomics** - pan supports are stylishly simple, with controls situated at the front for convenient operation.
- **Automatic ignition** - Gas burners are equipped with an electric ignition system. Just turn the dial and the chosen burner will light automatically.
- **Flame Failure Safety Device** - Senses if the flame has been extinguished and will disconnect gas flow.
- **One piece cooktop** - easy to clean, stainless steel surface.



**INSTALLATION** Cooktop is supplied with a 10 Amp lead and plug. Refer your qualified technician to our product manual for mains gas or LPG bottle gas connection.

**CLEANING AND MAINTENANCE** Easy clean Stainless Steel top. No abrasives, corrosive detergents, bleaches or acids are required.



Functions & Equipment	Technical Data
<ul style="list-style-type: none"> <li>• 4 Burner Gas Cooktop</li> <li>• Stainless steel</li> <li>• 4 Control knobs</li> </ul>	<ul style="list-style-type: none"> <li>• Flame failure safety device</li> <li>• Enamel trivets (cast iron optional)</li> <li>• Automatic ignition on all burners</li> <li>• Available in Natural Gas and LPG jets included</li> </ul>
	<ul style="list-style-type: none"> <li>• Dimensions: (H x D x W) 52 x 520 x 590 mm</li> <li>• 1 x simmer burner: 3.6Mj (approx)</li> <li>• 2 x auxiliary burners: 6.48Mj (approx)</li> <li>• 1 x large burner 10.08Mj (approx)</li> <li>• Total power: 7.4 kW</li> <li>• 10 Amp lead and plug supplied</li> </ul>



Scandium® kitchen appliances covered by a 3 Years Warranty, and is serviced by our experienced Australian Customer Care network.

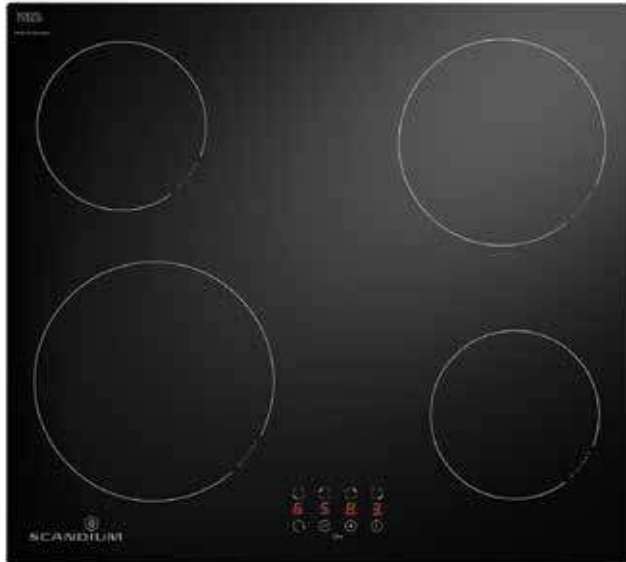
Product specifications subject to change without notice, images are for illustrative purposes only. Please check final product details with your retailer. © 2017. Axis Group International Pty Ltd.

**AUSTRALIA** 8/3-4 Anzed Court, Mulgrave VIC 3170.  
Phone 1300 881 693 Email [info@scandiumappliances.com.au](mailto:info@scandiumappliances.com.au)  
Web [www.scandiumappliances.com.au](http://www.scandiumappliances.com.au)

**NEW ZEALAND** 5 Tolich Place, Henderson, Auckland 0610.  
Phone 0800 200 510 Email [info.parex@emerson.com](mailto:info.parex@emerson.com)  
Web [www.parex.co.nz](http://www.parex.co.nz)

# CERAMIC COOKTOP / 4 HOB // 60cm

SCCN60

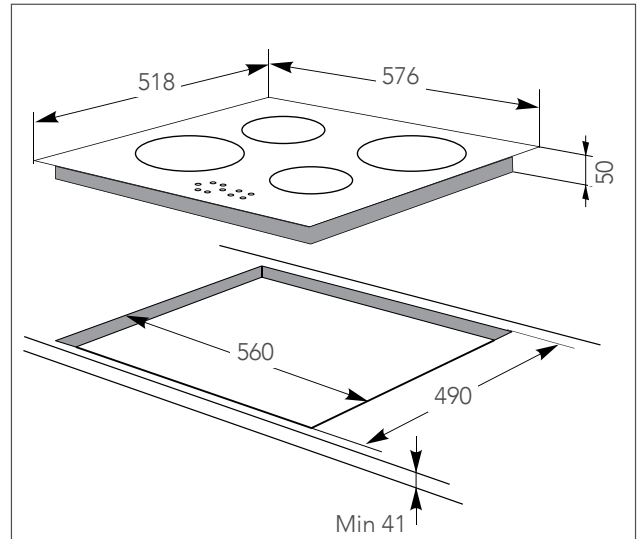


- **Automatic Warm-Up Function** - speeds up cooking time; boosts a cooking zone to full power for a set period then automatically returns to the power level you set.
- **Sensor control** - easy-to-use sensor control allows you to precisely set cooking levels.
- **Child lock** - ensure the cooktop cannot be switched on accidentally.
- **Residual heat indicator** - save energy by utilising any heat that's left after cooking your main dish – indicates temperature over 60°C as an added safety feature.



**INSTALLATION** Cooktop requires a hard wired connection from the main switchboard using a 240V supply with a dedicated circuit. Refer your qualified technician to our product manual.

**CLEANING AND MAINTENANCE** Easy clean glass top with recommended glass cleaning products. No abrasives, corrosive detergents, bleaches or acids are required.



Functions & Equipment	Technical data
<ul style="list-style-type: none"> <li>• HiLIGHT vitroceramic cooktop</li> <li>• Schott Ceran ceramic glass</li> <li>• C-cut edge finish</li> <li>• Sensor control</li> <li>• Residual heat indicator (over 60°C)</li> </ul>	<ul style="list-style-type: none"> <li>• Child lock</li> <li>• Automatic Warm-Up Function</li> <li>• 4 x HiLIGHT cooking zones</li> </ul>
	<ul style="list-style-type: none"> <li>• Dimensions: (W x D x H) 576 x 518 x 50 mm</li> <li>• Maximum power: 6.5 kW</li> <li>• Hard wired electrical connection</li> </ul>



Scandium® kitchen appliances covered by a 3 Years Warranty, and is serviced by our experienced Australian Customer Care network.

Product specifications subject to change without notice, images are for illustrative purposes only. Please check final product details with your retailer. © 2017. Axis Group International Pty Ltd.

**AUSTRALIA** 8/3-4 Anzed Court, Mulgrave VIC 3170.  
Phone 1300 881 693 Email [info@scandiumappliances.com.au](mailto:info@scandiumappliances.com.au)  
Web [www.scandiumappliances.com.au](http://www.scandiumappliances.com.au)

**NEW ZEALAND** 5 Tolich Place, Henderson, Auckland 0610.  
Phone 0800 200 510 Email [info.parex@emerson.com](mailto:info.parex@emerson.com)  
Web [www.parex.co.nz](http://www.parex.co.nz)

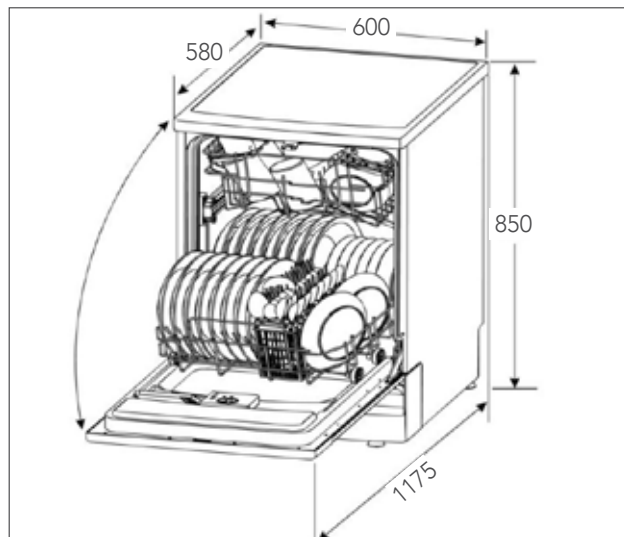


# FREE-STANDING DISHWASHER // 60cm

SCDW60



- **12 Place Setting** - makes washing up easier after entertaining up to twelve guests for a dinner party or family get-together.
- **Height adjustable upper basket** - conveniently adjusts to hold more delicate and lighter dishware such as glasses, coffee and tea cups and saucers.
- **Water Efficient** - 4 Star efficiency rating using 12 litres per wash cycle.



**INSTALLATION** A qualified, professional technician is recommended.

**CLEANING AND MAINTENANCE** Easy clean stainless steel fascia using only recommended stainless steel cleaning products. No abrasives, corrosive detergents, bleaches or acids are required.

### Functions & Equipment

- Stainless steel front panel
- Grey baskets
- Stainless steel filter
- Electronic push buttons
- Delay start function
- Height adjustable upper basket
- 12 Place settings
- Foldable bottom plate racks
- Detergent/rinse aid dispensers
- 6 programs including 3-in-1, intensive, heavy, normal, rinse and rapid
- 4 Star WELS rating
- 2.5 Star MEPS Energy Rating
- Residual drying

### Technical Data

- Dimensions: (W x D x H)  
600 x 580 x 850 mm
- Maximum power: 1760 - 2100W



Scandium® kitchen appliances covered by a 3 Years Warranty, and is serviced by our experienced Australian Customer Care network.

Product specifications subject to change without notice, images are for illustrative purposes only. Please check final product details with your retailer. © 2017. Axis Group International Pty Ltd.

**AUSTRALIA** 8/3-4 Anzed Court, Mulgrave VIC 3170.  
Phone 1300 881 693 Email [info@scandiumappliances.com.au](mailto:info@scandiumappliances.com.au)  
Web [www.scandiumappliances.com.au](http://www.scandiumappliances.com.au)

**NEW ZEALAND** 5 Tolich Place, Henderson, Auckland 0610.  
Phone 0800 200 510 Email [info.parex@emerson.com](mailto:info.parex@emerson.com)  
Web [www.parex.co.nz](http://www.parex.co.nz)



# SILENT UNDERMOUNT RANGEHOOD // 60cm

SC600UMS

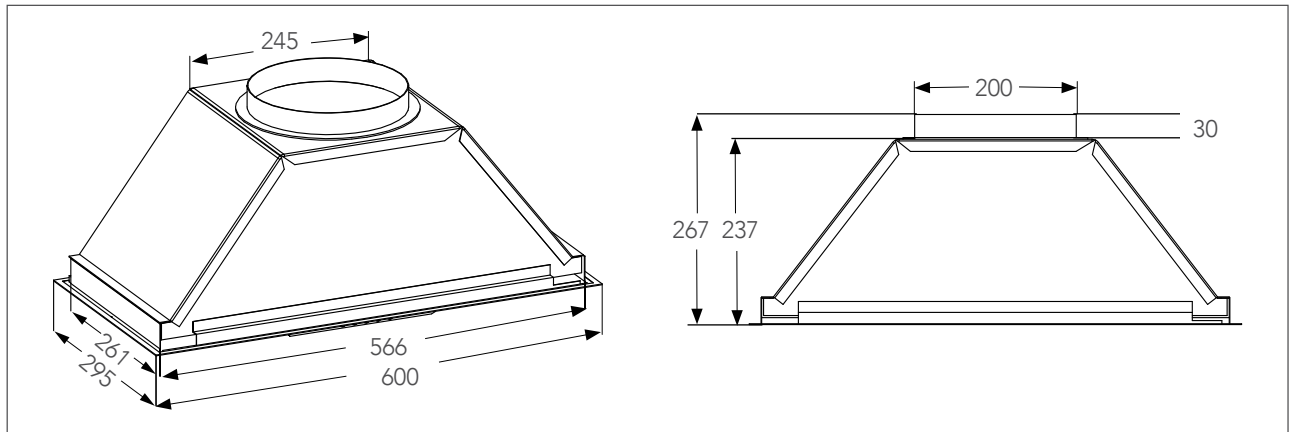


- **Easy to use** - stainless steel undermount rangehood integrates seamlessly with kitchen cabinetry and creates a functional, practical kitchen.
- **Silent extraction** - externally mounted motor for effective extraction of steam, smoke and odours, leaves kitchen air fresher.
- **Strong lighting** - incandescent lighting over the cooking zone.
- **Mesh filters** - aluminium, dishwasher safe.



**INSTALLATION** A qualified, professional technician is recommended.

**CLEANING AND MAINTENANCE** Easy clean stainless steel fascia using only recommended stainless steel cleaning products. No abrasives, corrosive detergents, bleaches or acids are required.



Description	Technical data	Motor power
<ul style="list-style-type: none"> <li>• Stainless steel finish</li> <li>• Silent external motor system</li> <li>• Single speed with switch button controls</li> <li>• Incandescent lighting</li> <li>• Aluminium, dishwasher safe filters</li> </ul>	<ul style="list-style-type: none"> <li>• Dimensions: (W x D) 600 x 295 mm</li> <li>• 2 x aluminium mesh filters</li> <li>• 2 x 25W incandescent light bulbs</li> </ul>	<ul style="list-style-type: none"> <li>• Single external Hi Flow VX120 motor system, 600m<sup>3</sup>/h airflow, 150mm flexi ducting (4m), installs in roof/wall/eaves</li> </ul>



Scandium® kitchen appliances covered by a 3 Years Warranty, and is serviced by our experienced Australian Customer Care network.

Product specifications subject to change without notice, images are for illustrative purposes only. Please check final product details with your retailer. © 2017. Axis Group International Pty Ltd.

AUSTRALIA 8/3-4 Anzed Court, Mulgrave VIC 3170.  
Phone 1300 881 693 Email [info@scandiumappliances.com.au](mailto:info@scandiumappliances.com.au)  
Web [www.scandiumappliances.com.au](http://www.scandiumappliances.com.au)

NEW ZEALAND 5 Tolich Place, Henderson, Auckland 0610.  
Phone 0800 200 510 Email [info.parex@emerson.com](mailto:info.parex@emerson.com)  
Web [www.parex.co.nz](http://www.parex.co.nz)





# SILENT UNDERMOUNT RANGEHOOD // 90cm

SC900UMS

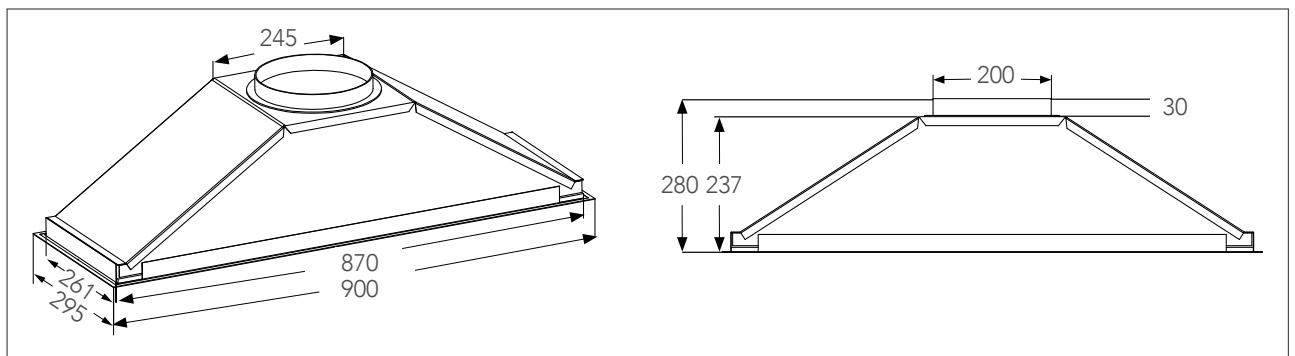


- **Easy to use** - stainless steel undermount rangehood integrates seamlessly with kitchen cabinetry and creates a functional, practical kitchen.
- **Silent extraction** - externally mounted motor for effective extraction of steam, smoke and odours, leaves kitchen air fresher.
- **Strong lighting** - incandescent lighting over the cooking zone.
- **Mesh filters** - aluminium, dishwasher safe.



**INSTALLATION** A qualified, professional technician is recommended.

**CLEANING AND MAINTENANCE** Easy clean stainless steel fascia using only recommended stainless steel cleaning products. No abrasives, corrosive detergents, bleaches or acids are required.



Description	Technical data	Motor power
<ul style="list-style-type: none"> <li>• Stainless steel finish</li> <li>• Silent external motor system</li> <li>• Single speed with switch button controls</li> <li>• Incandescent lighting</li> <li>• Aluminium, dishwasher safe filters</li> </ul>	<ul style="list-style-type: none"> <li>• Dimensions: (W x D) 900 x 295 mm</li> <li>• 3 x aluminium mesh filters</li> <li>• 2 x 25W incandescent light bulbs</li> </ul>	<ul style="list-style-type: none"> <li>• Single external Hi Flow VX120 motor system, 600m<sup>3</sup>/h airflow, 150mm flexi ducting (4m), installs in roof/wall/eaves</li> </ul>



Scandium® kitchen appliances covered by a 3 Years Warranty, and is serviced by our experienced Australian Customer Care network.

Product specifications subject to change without notice, images are for illustrative purposes only. Please check final product details with your retailer. © 2017. Axis Group International Pty Ltd.

AUSTRALIA 8/3-4 Anzed Court, Mulgrave VIC 3170.  
Phone 1300 881 693 Email info@scandiumappliances.com.au  
Web www.scandiumappliances.com.au

NEW ZEALAND 5 Tolich Place, Henderson, Auckland 0610.  
Phone 0800 200 510 Email info.parex@emerson.com  
Web www.parex.co.nz



# UNDERMOUNT RANGEHOOD // 60cm

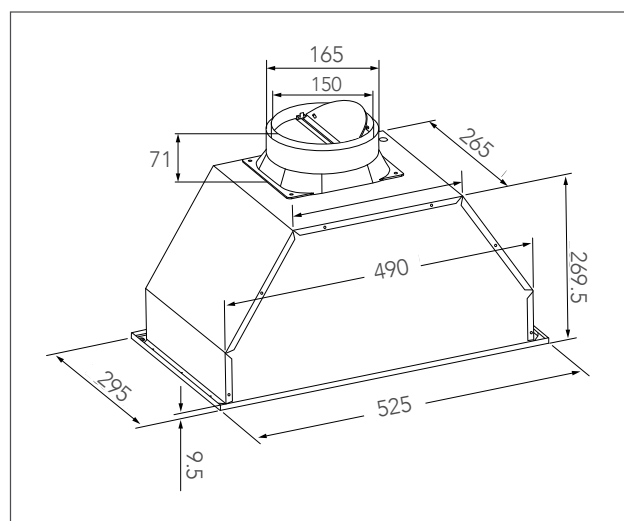
SCUM-6C



- **Simple design** - stainless steel undermount rangehood integrates seamlessly with kitchen cabinetry.
- **Airflow 760m<sup>3</sup>/hr** - removes steam, smoke and odours, leaves kitchen air fresher.
- **3 speed levels** - easy to use push button operation.
- **Quality lighting** - halogen lighting over the cooking zone.

**INSTALLATION** A qualified, professional technician is recommended.

**CLEANING AND MAINTENANCE** Easy clean stainless steel fascia using only recommended stainless steel cleaning products. No abrasives, corrosive detergents, bleaches or acids are required.



Description	Technical data	Motor power
<ul style="list-style-type: none"> <li>• Stainless steel fascia</li> <li>• 3 x speed levels with push button controls</li> <li>• 2 x GU 10 halogen lights</li> <li>• Dishwasher safe aluminium filters</li> </ul>	<ul style="list-style-type: none"> <li>• Dimensions: (W x D) 525 x 295 mm</li> <li>• 1 x aluminium mesh filter</li> </ul>	<ul style="list-style-type: none"> <li>• Twin fan internal motor, 760m<sup>3</sup>/h airflow, 150mm flexi ducting (2m), can be vented roof/wall/eaves</li> </ul>



Scandium® kitchen appliances covered by a 3 Years Warranty, and is serviced by our experienced Australian Customer Care network.

Product specifications subject to change without notice, images are for illustrative purposes only. Please check final product details with your retailer. © 2017. Axis Group International Pty Ltd.

AUSTRALIA 8/3-4 Anzed Court, Mulgrave VIC 3170.  
Phone 1300 881 693 Email [info@scandiumappliances.com.au](mailto:info@scandiumappliances.com.au)  
Web [www.scandiumappliances.com.au](http://www.scandiumappliances.com.au)

NEW ZEALAND 5 Tolich Place, Henderson, Auckland 0610.  
Phone 0800 200 510 Email [info.parex@emerson.com](mailto:info.parex@emerson.com)  
Web [www.parex.co.nz](http://www.parex.co.nz)



# UNDERMOUNT RANGEHOOD // 90cm

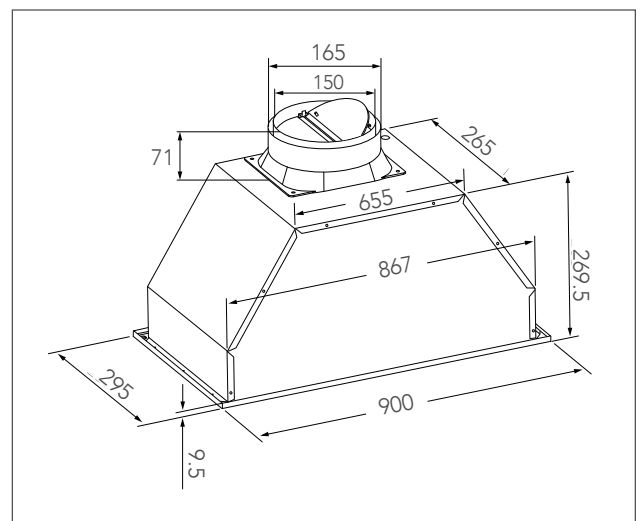
SCUM-9C



- **Simple design** - stainless steel undermount rangehood integrates seamlessly with kitchen cabinetry.
- **Airflow 900m<sup>3</sup>/hr** - removes steam, smoke and odours, leaves kitchen air fresher.
- **3 speed levels** - easy to use push button operation.
- **Quality lighting** - halogen lighting over the cooking zone.

**INSTALLATION** A qualified, professional technician is recommended.

**CLEANING AND MAINTENANCE** Easy clean stainless steel fascia using only recommended stainless steel cleaning products. No abrasives, corrosive detergents, bleaches or acids are required.



Description	Technical data	Motor power
<ul style="list-style-type: none"> <li>• Stainless steel finish</li> <li>• 3 x speed levels</li> <li>• 2 x GU 10 halogen lights</li> <li>• Dishwasher safe aluminium filters</li> </ul>	<ul style="list-style-type: none"> <li>• Dimensions: (W x D) 900 x 295 mm</li> <li>• 2 x aluminium mesh filters</li> </ul>	<ul style="list-style-type: none"> <li>• Twin fan internal motor, 900m<sup>3</sup>/h airflow, 150mm flexi ducting (2m), can be vented roof/wall/eaves</li> </ul>



Scandium® kitchen appliances covered by a 3 Years Warranty, and is serviced by our experienced Australian Customer Care network.

Product specifications subject to change without notice, images are for illustrative purposes only. Please check final product details with your retailer. © 2017. Axis Group International Pty Ltd.

AUSTRALIA 8/3-4 Anzed Court, Mulgrave VIC 3170.  
Phone 1300 881 693 Email [info@scandiumappliances.com.au](mailto:info@scandiumappliances.com.au)  
Web [www.scandiumappliances.com.au](http://www.scandiumappliances.com.au)

NEW ZEALAND 5 Tolich Place, Henderson, Auckland 0610.  
Phone 0800 200 510 Email [info.parex@emerson.com](mailto:info.parex@emerson.com)  
Web [www.parex.co.nz](http://www.parex.co.nz)



# SLIDE-OUT RANGEHOOD // 60cm

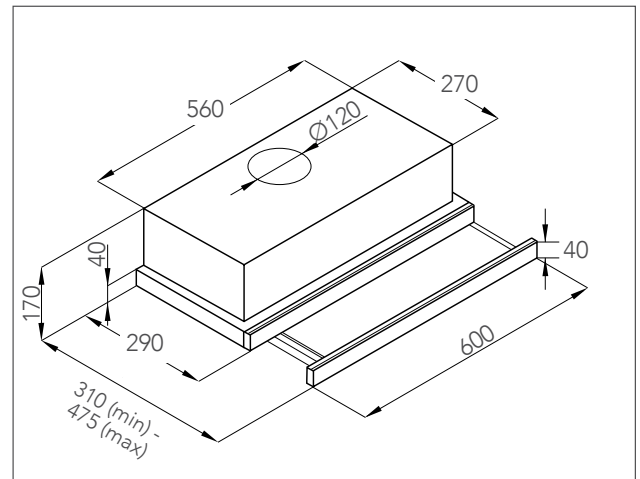
SCRH60



- **Slide-out convenience** - quality slide-out telescopic design ideal for hiding away for a more compact rangehood solution.
- **Quality lighting** - cooking zone is well lit with 2 high quality GU10 halogen lights.
- **System Space Filter** - gives highly efficient absorption, approximately 20% increase in efficiency, grease filters are easy to remove and dishwasher safe.

**INSTALLATION** A qualified, professional technician is recommended.

**CLEANING AND MAINTENANCE** Easy clean stainless steel fascia using only recommended stainless steel cleaning products. No abrasives, corrosive detergents, bleaches or acids are required.



## Functions & Equipment

- Stainless Steel fascia
- Telescopic slide-out rangehood
- Automatic start
- 2 aluminium grease filters
- 3 speed motor with button controls
- Halogen light: 2 x 20 W



Scandium® kitchen appliances covered by a 3 Years Warranty, and is serviced by our experienced Australian Customer Care network.

Product specifications subject to change without notice, images are for illustrative purposes only. Please check final product details with your retailer. © 2017. Axis Group International Pty Ltd.

AUSTRALIA 8/3-4 Anzed Court, Mulgrave VIC 3170.  
Phone 1300 881 693 Email [info@scandiumappliances.com.au](mailto:info@scandiumappliances.com.au)  
Web [www.scandiumappliances.com.au](http://www.scandiumappliances.com.au)

NEW ZEALAND 5 Tolich Place, Henderson, Auckland 0610.  
Phone 0800 200 510 Email [info.parex@emerson.com](mailto:info.parex@emerson.com)  
Web [www.parex.co.nz](http://www.parex.co.nz)



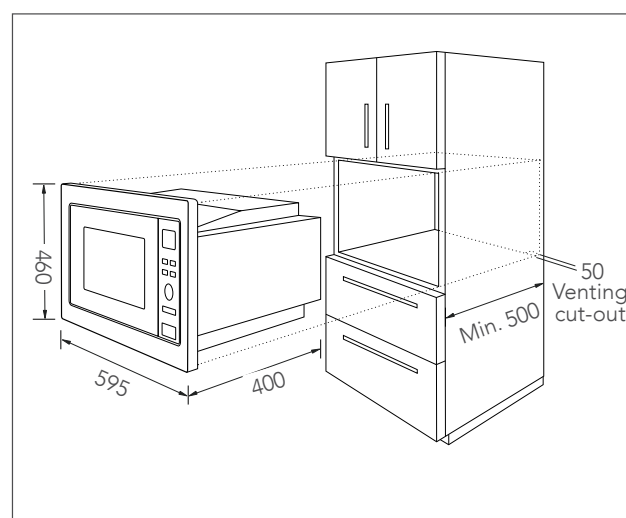
# COMBI MICROWAVE OVEN // 60cm

SC28LMO



- **Auto menu** - 8 pre-sets allow quick selection of pre-programmed settings for pizza, meat, vegetables, pasta, potatoes, fish, beverages, or popcorn.
- **Built-in design** - Stylish European design with stainless steel-finished buttons for seamless integration into any kitchen.

- **Large Capacity** - 28 litre larger cooking space compared to a conventional turntable microwave, with room for dishes of any form and size.
- **Defrosting** - defrost by time or weight and reheat function makes meal preparation easier.
- **Microwave or Grill** - cook with the microwave function then switch over to the integrated grill for that perfect crispy or delicious crusted top finish. Combine cooking methods – microwave, grill, or combine them both to perfectly finished dishes made faster and easier.



**INSTALLATION** A qualified, professional technician is recommended.

**CLEANING AND MAINTENANCE** Easy clean stainless steel fascia using only recommended stainless steel cleaning products. No abrasives, corrosive detergents, bleaches or acids are required.

## Functions & Equipment

- Extra large interior – 28 Litre
- Stainless Steel interior
- Grill function
- Microwave function with 8 pre-set menus
- 4 programs – defrost by weight, defrost by time, speedy cooking and multi-stage cooking
- Lock function
- European design
- Glass turntable
- Grill rack
- Kitchen timer clock
- Halogen interior light

## Technical Data

- Cavity capacity 28L
- Product dimensions: (W x D x H) 595 x 400 x 460 mm
- Microwave input: 1450W
- Microwave output: 900W
- Grill output power: 1100W

**28L**



Scandium® kitchen appliances covered by a 3 Years Warranty, and is serviced by our experienced Australian Customer Care network.

Product specifications subject to change without notice, images are for illustrative purposes only. Please check final product details with your retailer. © 2017. Axis Group International Pty Ltd.

**AUSTRALIA** 8/3-4 Anzed Court, Mulgrave VIC 3170.  
Phone 1300 881 693 Email [info@scandiumappliances.com.au](mailto:info@scandiumappliances.com.au)  
Web [www.scandiumappliances.com.au](http://www.scandiumappliances.com.au)

**NEW ZEALAND** 5 Tolich Place, Henderson, Auckland 0610.  
Phone 0800 200 510 Email [info.parex@emerson.com](mailto:info.parex@emerson.com)  
Web [www.parex.co.nz](http://www.parex.co.nz)



# GAS-ELECTRIC UPRIGHT COOKER // 90cm

SCU900CR

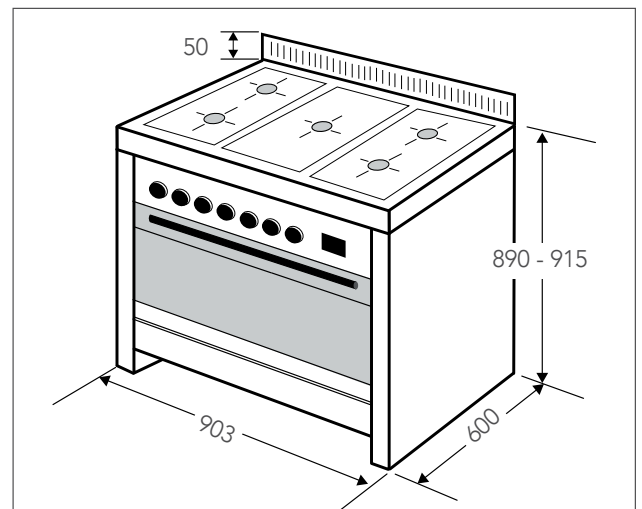


- **8 Multi-function oven** - Available in stainless steel and a range of exciting colours.
- **5 burner gas cooktop** - With heavy duty cast iron trivets.
- **Centre Wok Burner** - High efficiency burner (15Mj).
- **Storage/warming compartment** - Store away racks and trays not being used.

**INSTALLATION BY A QUALIFIED TECHNICIAN** Oven requires connection with a dedicated circuit from socket to main switchboard. Refer qualified technician to our product manual. Natural Gas ready and LPG jets supplied.

**CLEANING AND MAINTENANCE** Easy clean enamel interior. Clean stainless steel using only recommended stainless steel cleaning products. No abrasives, corrosive detergents, bleaches or acids are required.

- **Fully Programmable Electronic Timer** - Set start/finish time; the oven will switch on and off as set.
- **Triple Glazed Oven Door** - cool-touch door due to ventilation through the 3 panes. Inner pane reflects the heat back into the oven. Glass panels are easily removed for cleaning.
- **Twin Fan Forced** - Hot air is distributed evenly inside the oven.
- **XL Cavity** - 121L gross oven cavity.
- **Flame Failure Safety Device** - Senses if the flame has been extinguished and will disconnect gas flow.



\*Limited Stock. Special order only, requires 16 to 20 weeks to deliver.

## Functions & Equipment

- 8 Functions: Twin Fan Forced, Twin Fan Assisted, Fan & Grill, Grill, Fan Assist + Bottom Element, Conventional Oven, Defrosting, Oven Light
- Fully programmable electronic timer
- Triple glazed oven door
- 4 x adjustable feet
- 1 x wire rack
- Easy clean enamel
- Twin fans
- Storage/warming compartment
- Centre wok burner
- Electronic ignition
- Flame failure safety device
- Heavy duty cast iron trivets
- 2 x oven lights
- Telescopic runner with baking tray

## Technical Data

- Material: Stainless Steel
- XL Oven Cavity: volume: 121L gross
- Rated Input: 240V / 50-60Hz
- 1 x Wok Burner
- 2 x Semi-rapid Burner
- 1 x Auxiliary Burner
- 1 x Rapid Burner
- 20 amp connection required

**121L**



Scandium® kitchen appliances covered by a 3 Years Warranty, and is serviced by our experienced Australian Customer Care network.

Product specifications subject to change without notice, images are for illustrative purposes only. Please check final product details with your retailer. © 2017. Axis Group International Pty Ltd.

AUSTRALIA 8/3-4 Anzed Court, Mulgrave VIC 3170.  
Phone 1300 881 693 Email [info@scandiumappliances.com.au](mailto:info@scandiumappliances.com.au)  
Web [www.scandiumappliances.com.au](http://www.scandiumappliances.com.au)

NEW ZEALAND 5 Tolich Place, Henderson, Auckland 0610.  
Phone 0800 200 510 Email [info.parex@emerson.com](mailto:info.parex@emerson.com)  
Web [www.parex.co.nz](http://www.parex.co.nz)



# GAS-ELECTRIC UPRIGHT COOKER // 90cm

SCU900BG

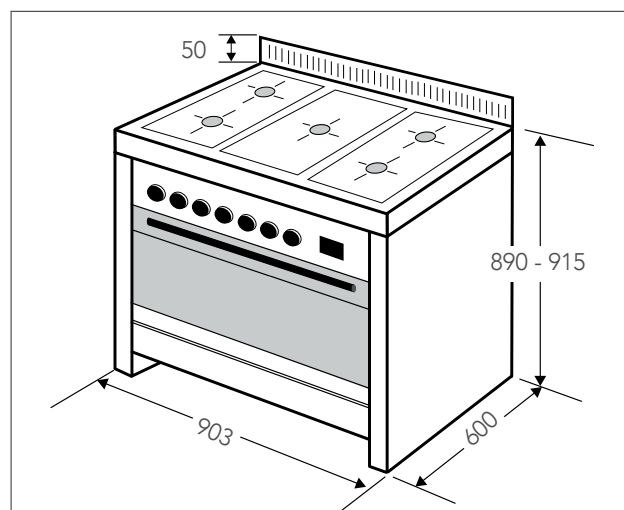


- **Fully Programmable Electronic Timer** - Set start/finish time; the oven will switch on and off as set.
- **Triple Glazed Oven Door** - cool-touch door due to ventilation through the 3 panes. Inner pane reflects the heat back into the oven. Glass panels are easily removed for cleaning.
- **Twin Fan Forced** - Hot air is distributed evenly inside the oven.
- **XL Cavity** - 121L gross oven cavity.
- **Flame Failure Safety Device** - Senses if the flame has been extinguished and will disconnect gas flow.

- **8 Multi-function oven** - Available in stainless steel and a range of exciting colours.
- **5 burner gas cooktop** - With heavy duty cast iron trivets.
- **Centre Wok Burner** - High efficiency burner (15Mj).
- **Storage/warming compartment** - Store away racks and trays not being used.

**INSTALLATION BY A QUALIFIED TECHNICIAN** Oven requires connection with a dedicated circuit from socket to main switchboard. Refer qualified technician to our product manual. Natural Gas ready and LPG jets supplied.

**CLEANING AND MAINTENANCE** Easy clean enamel interior. Clean stainless steel using only recommended stainless steel cleaning products. No abrasives, corrosive detergents, bleaches or acids are required.



\*Limited Stock. Special order only, requires 16 to 20 weeks to deliver.

## Functions & Equipment

- 8 Functions: Twin Fan Forced, Twin Fan Assisted, Fan & Grill, Grill, Fan Assist + Bottom Element, Conventional Oven, Defrosting, Oven Light
- Fully programmable electronic timer
- Triple glazed oven door
- 4 x adjustable feet
- 1 x wire rack
- Easy clean enamel
- Twin fans
- Storage/warming compartment
- Centre wok burner
- Electronic ignition
- Flame failure safety device
- Heavy duty cast iron trivets
- 2 x oven lights
- Telescopic runner with baking tray

## Technical Data

- Material: Stainless Steel
- XL Oven Cavity: volume: 121L gross
- Rated Input: 240V / 50-60Hz
- 1 x Wok Burner
- 2 x Semi-rapid Burner
- 1 x Auxiliary Burner
- 1 x Rapid Burner
- 20 amp connection required

**121L**



Scandium® kitchen appliances covered by a 3 Years Warranty, and is serviced by our experienced Australian Customer Care network.

Product specifications subject to change without notice, images are for illustrative purposes only. Please check final product details with your retailer. © 2017. Axis Group International Pty Ltd.

AUSTRALIA 8/3-4 Anzed Court, Mulgrave VIC 3170.  
Phone 1300 881 693 Email [info@scandiumappliances.com.au](mailto:info@scandiumappliances.com.au)  
Web [www.scandiumappliances.com.au](http://www.scandiumappliances.com.au)

NEW ZEALAND 5 Tolich Place, Henderson, Auckland 0610.  
Phone 0800 200 510 Email [info.parex@emerson.com](mailto:info.parex@emerson.com)  
Web [www.parex.co.nz](http://www.parex.co.nz)



# GAS-ELECTRIC UPRIGHT COOKER // 90cm

SCU900LG

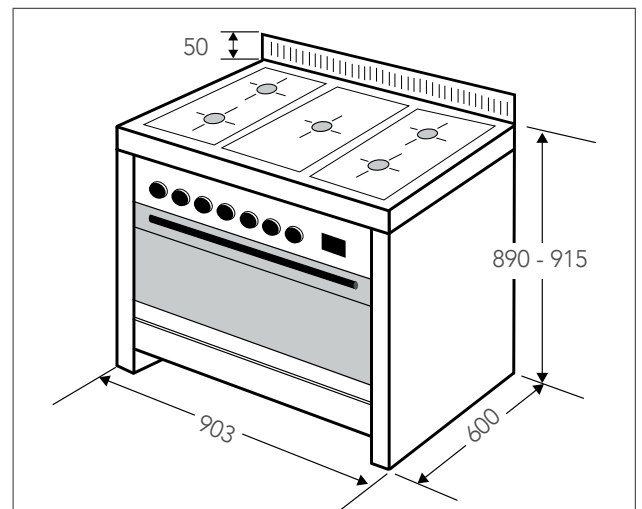


- **Fully Programmable Electronic Timer** - Set start/finish time; the oven will switch on and off as set.
- **Triple Glazed Oven Door** - cool-touch door due to ventilation through the 3 panes. Inner pane reflects the heat back into the oven. Glass panels are easily removed for cleaning.
- **Twin Fan Forced** - Hot air is distributed evenly inside the oven.
- **XL Cavity** - 121L gross oven cavity.
- **Flame Failure Safety Device** - Senses if the flame has been extinguished and will disconnect gas flow.

- **8 Multi-function oven** - Available in stainless steel and a range of exciting colours.
- **5 burner gas cooktop** - With heavy duty cast iron trivets.
- **Centre Wok Burner** - High efficiency burner (15Mj).
- **Storage/warming compartment** - Store away racks and trays not being used.

**INSTALLATION BY A QUALIFIED TECHNICIAN** Oven requires connection with a dedicated circuit from socket to main switchboard. Refer qualified technician to our product manual. Natural Gas ready and LPG jets supplied.

**CLEANING AND MAINTENANCE** Easy clean enamel interior. Clean stainless steel using only recommended stainless steel cleaning products. No abrasives, corrosive detergents, bleaches or acids are required.



\*Limited Stock. Special order only, requires 16 to 20 weeks to deliver.

## Functions & Equipment

- 8 Functions: Twin Fan Forced, Twin Fan Assisted, Fan & Grill, Grill, Fan Assist + Bottom Element, Conventional Oven, Defrosting, Oven Light
- Fully programmable electronic timer
- Triple glazed oven door
- 4 x adjustable feet
- 1 x wire rack
- Easy clean enamel
- Twin fans
- Storage/warming compartment
- Centre wok burner
- Electronic ignition
- Flame failure safety device
- Heavy duty cast iron trivets
- 2 x oven lights
- Telescopic runner with baking tray

## Technical Data

- Material: Stainless Steel
- XL Oven Cavity: volume: 121L gross
- Rated Input: 240V / 50-60Hz
- 1 x Wok Burner
- 2 x Semi-rapid Burner
- 1 x Auxiliary Burner
- 1 x Rapid Burner
- 20 amp connection required

**121L**



Scandium® kitchen appliances covered by a 3 Years Warranty, and is serviced by our experienced Australian Customer Care network.

Product specifications subject to change without notice, images are for illustrative purposes only. Please check final product details with your retailer. © 2017. Axis Group International Pty Ltd.

**AUSTRALIA** 8/3-4 Anzed Court, Mulgrave VIC 3170.  
Phone 1300 881 693 Email [info@scandiumappliances.com.au](mailto:info@scandiumappliances.com.au)  
Web [www.scandiumappliances.com.au](http://www.scandiumappliances.com.au)

**NEW ZEALAND** 5 Tolich Place, Henderson, Auckland 0610.  
Phone 0800 200 510 Email [info.parex@emerson.com](mailto:info.parex@emerson.com)  
Web [www.parex.co.nz](http://www.parex.co.nz)





# GAS-ELECTRIC UPRIGHT COOKER // 90cm

SCU900PB

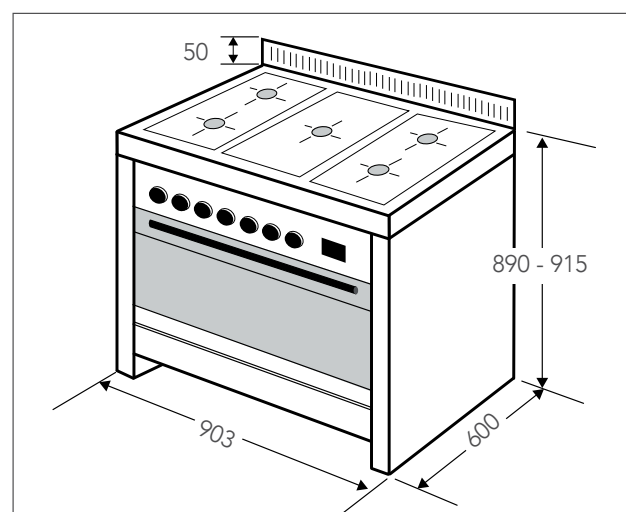


- **Fully Programmable Electronic Timer** - Set start/finish time; the oven will switch on and off as set.
- **Triple Glazed Oven Door** - cool-touch door due to ventilation through the 3 panes. Inner pane reflects the heat back into the oven. Glass panels are easily removed for cleaning.
- **Twin Fan Forced** - Hot air is distributed evenly inside the oven.
- **XL Cavity** - 121L gross oven cavity.
- **Flame Failure Safety Device** - Senses if the flame has been extinguished and will disconnect gas flow.

- **8 Multi-function oven** - Available in stainless steel and a range of exciting colours.
- **5 burner gas cooktop** - With heavy duty cast iron trivets.
- **Centre Wok Burner** - High efficiency burner (15Mj).
- **Storage/warming compartment** - Store away racks and trays not being used.

**INSTALLATION BY A QUALIFIED TECHNICIAN** Oven requires connection with a dedicated circuit from socket to main switchboard. Refer qualified technician to our product manual. Natural Gas ready and LPG jets supplied.

**CLEANING AND MAINTENANCE** Easy clean enamel interior. Clean stainless steel using only recommended stainless steel cleaning products. No abrasives, corrosive detergents, bleaches or acids are required.



\*Limited Stock. Special order only, requires 16 to 20 weeks to deliver.

## Functions & Equipment

- 8 Functions: Twin Fan Forced, Twin Fan Assisted, Fan & Grill, Grill, Fan Assist + Bottom Element, Conventional Oven, Defrosting, Oven Light
- Fully programmable electronic timer
- Triple glazed oven door
- 4 x adjustable feet
- 1 x wire rack
- Easy clean enamel
- Twin fans
- Storage/warming compartment
- Centre wok burner
- Electronic ignition
- Flame failure safety device
- Heavy duty cast iron trivets
- 2 x oven lights
- Telescopic runner with baking tray

## Technical Data

- Material: Stainless Steel
- XL Oven Cavity: volume: 121L gross
- Rated Input: 240V / 50-60Hz
- 1 x Wok Burner
- 2 x Semi-rapid Burner
- 1 x Auxiliary Burner
- 1 x Rapid Burner
- 20 amp connection required

**121L**



Scandium® kitchen appliances covered by a 3 Years Warranty, and is serviced by our experienced Australian Customer Care network.

Product specifications subject to change without notice, images are for illustrative purposes only. Please check final product details with your retailer. © 2017. Axis Group International Pty Ltd.

AUSTRALIA 8/3-4 Anzed Court, Mulgrave VIC 3170.  
Phone 1300 881 693 Email [info@scandiumappliances.com.au](mailto:info@scandiumappliances.com.au)  
Web [www.scandiumappliances.com.au](http://www.scandiumappliances.com.au)

NEW ZEALAND 5 Tolich Place, Henderson, Auckland 0610.  
Phone 0800 200 510 Email [info.parex@emerson.com](mailto:info.parex@emerson.com)  
Web [www.parex.co.nz](http://www.parex.co.nz)



# GAS-ELECTRIC UPRIGHT COOKER // 90cm

SCU900DB

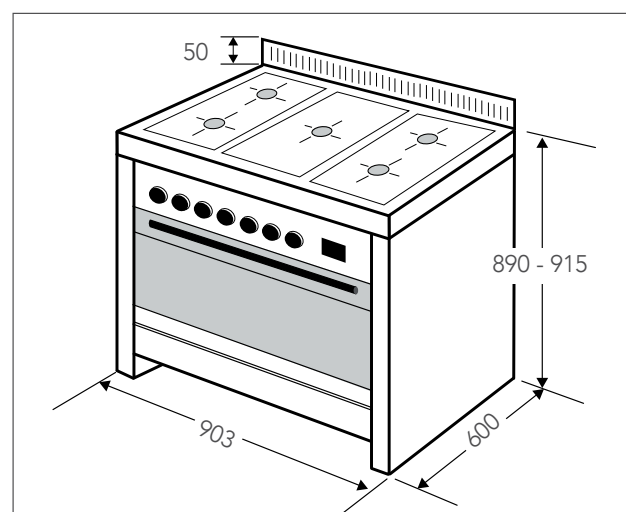


- **8 Multi-function oven** - Available in stainless steel and a range of exciting colours.
- **5 burner gas cooktop** - With heavy duty cast iron trivets.
- **Centre Wok Burner** - High efficiency burner (15Mj).
- **Storage/warming compartment** - Store away racks and trays not being used.

**INSTALLATION BY A QUALIFIED TECHNICIAN** Oven requires connection with a dedicated circuit from socket to main switchboard. Refer qualified technician to our product manual. Natural Gas ready and LPG jets supplied.

**CLEANING AND MAINTENANCE** Easy clean enamel interior. Clean stainless steel using only recommended stainless steel cleaning products. No abrasives, corrosive detergents, bleaches or acids are required.

- **Fully Programmable Electronic Timer** - Set start/finish time; the oven will switch on and off as set.
- **Triple Glazed Oven Door** - cool-touch door due to ventilation through the 3 panes. Inner pane reflects the heat back into the oven. Glass panels are easily removed for cleaning.
- **Twin Fan Forced** - Hot air is distributed evenly inside the oven.
- **XL Cavity** - 121L gross oven cavity.
- **Flame Failure Safety Device** - Senses if the flame has been extinguished and will disconnect gas flow.



\*Limited Stock. Special order only, requires 16 to 20 weeks to deliver.

## Functions & Equipment

- 8 Functions: Twin Fan Forced, Twin Fan Assisted, Fan & Grill, Grill, Fan Assist + Bottom Element, Conventional Oven, Defrosting, Oven Light
- Fully programmable electronic timer
- Triple glazed oven door
- 4 x adjustable feet
- 1 x wire rack
- Easy clean enamel
- Twin fans
- Storage/warming compartment
- Centre wok burner
- Electronic ignition
- Flame failure safety device
- Heavy duty cast iron trivets
- 2 x oven lights
- Telescopic runner with baking tray

## Technical Data

- Material: Stainless Steel
- XL Oven Cavity: volume: 121L gross
- Rated Input: 240V / 50-60Hz
- 1 x Wok Burner
- 2 x Semi-rapid Burner
- 1 x Auxiliary Burner
- 1 x Rapid Burner
- 20 amp connection required

**121L**



Scandium® kitchen appliances covered by a 3 Years Warranty, and is serviced by our experienced Australian Customer Care network.

Product specifications subject to change without notice, images are for illustrative purposes only. Please check final product details with your retailer. © 2017. Axis Group International Pty Ltd.

AUSTRALIA 8/3-4 Anzed Court, Mulgrave VIC 3170.  
Phone 1300 881 693 Email [info@scandiumappliances.com.au](mailto:info@scandiumappliances.com.au)  
Web [www.scandiumappliances.com.au](http://www.scandiumappliances.com.au)

NEW ZEALAND 5 Tolich Place, Henderson, Auckland 0610.  
Phone 0800 200 510 Email [info.parex@emerson.com](mailto:info.parex@emerson.com)  
Web [www.parex.co.nz](http://www.parex.co.nz)



# GAS-ELECTRIC UPRIGHT COOKER // 90cm

SCU900R

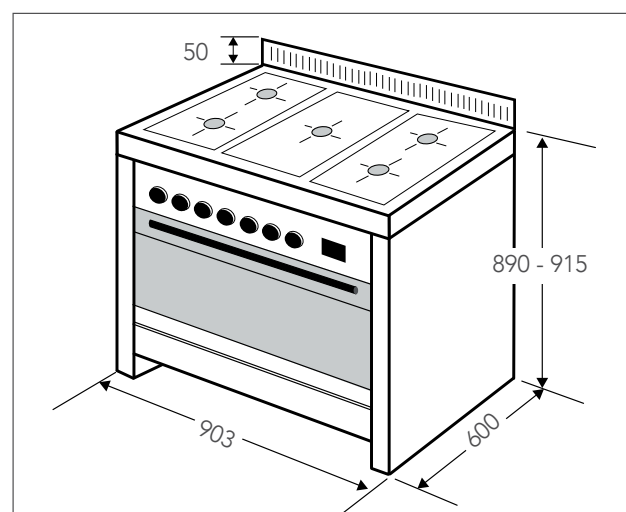


- **8 Multi-function oven** - Available in stainless steel and a range of exciting colours.
- **5 burner gas cooktop** - With heavy duty cast iron trivets.
- **Centre Wok Burner** - High efficiency burner (15Mj).
- **Storage/warming compartment** - Store away racks and trays not being used.

**INSTALLATION BY A QUALIFIED TECHNICIAN** Oven requires connection with a dedicated circuit from socket to main switchboard. Refer qualified technician to our product manual. Natural Gas ready and LPG jets supplied.

**CLEANING AND MAINTENANCE** Easy clean enamel interior. Clean stainless steel using only recommended stainless steel cleaning products. No abrasives, corrosive detergents, bleaches or acids are required.

- **Fully Programmable Electronic Timer** - Set start/finish time; the oven will switch on and off as set.
- **Triple Glazed Oven Door** - cool-touch door due to ventilation through the 3 panes. Inner pane reflects the heat back into the oven. Glass panels are easily removed for cleaning.
- **Twin Fan Forced** - Hot air is distributed evenly inside the oven.
- **XL Cavity** - 121L gross oven cavity.
- **Flame Failure Safety Device** - Senses if the flame has been extinguished and will disconnect gas flow.



\*Limited Stock. Special order only, requires 16 to 20 weeks to deliver.

## Functions & Equipment

- 8 Functions: Twin Fan Forced, Twin Fan Assisted, Fan & Grill, Grill, Fan Assist + Bottom Element, Conventional Oven, Defrosting, Oven Light
- Fully programmable electronic timer
- Triple glazed oven door
- 4 x adjustable feet
- 1 x wire rack
- Easy clean enamel
- Twin fans
- Storage/warming compartment
- Centre wok burner
- Electronic ignition
- Flame failure safety device
- Heavy duty cast iron trivets
- 2 x oven lights
- Telescopic runner with baking tray

## Technical Data

- Material: Stainless Steel
- XL Oven Cavity: volume: 121L gross
- Rated Input: 240V / 50-60Hz
- 1 x Wok Burner
- 2 x Semi-rapid Burner
- 1 x Auxiliary Burner
- 1 x Rapid Burner
- 20 amp connection required

**121L**



Scandium® kitchen appliances covered by a 3 Years Warranty, and is serviced by our experienced Australian Customer Care network.

Product specifications subject to change without notice, images are for illustrative purposes only. Please check final product details with your retailer. © 2017. Axis Group International Pty Ltd.

AUSTRALIA 8/3-4 Anzed Court, Mulgrave VIC 3170.  
Phone 1300 881 693 Email [info@scandiumappliances.com.au](mailto:info@scandiumappliances.com.au)  
Web [www.scandiumappliances.com.au](http://www.scandiumappliances.com.au)

NEW ZEALAND 5 Tolich Place, Henderson, Auckland 0610.  
Phone 0800 200 510 Email [info.parex@emerson.com](mailto:info.parex@emerson.com)  
Web [www.parex.co.nz](http://www.parex.co.nz)