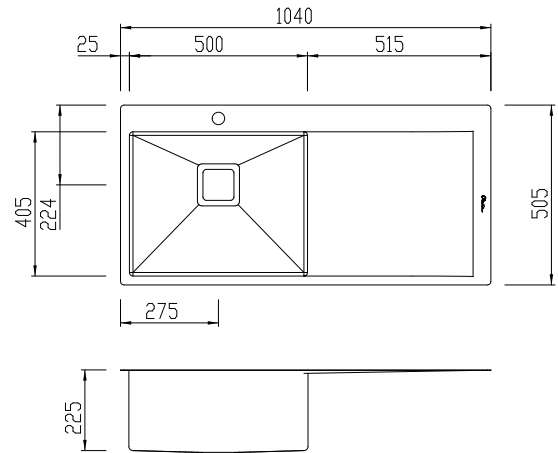


# PR1121

## Professional Series

Oliveri®

### LEFT HAND BOWL SINK



### INCLUDED ACCESSORIES

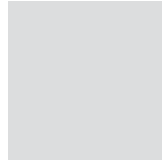
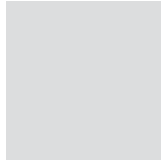
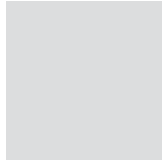
AC175Q



ACP141



ACPSQ8



### RECOMMENDED TAPWARE

TN2010



KE2030



### OPTIONAL ACCESSORIES

ACP105



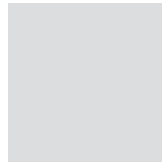
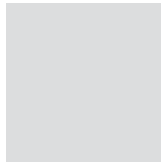
ACP126



ACP136



ACSWDK



### International collection™

Designed and engineered to our specifications and quality standards. Sourced from our international supplier.

### SPECIFICATIONS

#### Description

Single bowl inset sink with drainer

#### Sink Size

1040W x 505H

#### Grand Bowl

500W x 405H x 225D / 46L

<b>Construction</b>	Fabricated with 10mm radius corners, Softtone™ and soundproofing.
<b>Material</b>	304 grade, 18/10 brushed stainless steel (1.5mm thick)
<b>Installation</b>	Inset recommended.
<b>Fixings</b>	Topmount clips supplied
<b>Cut Out Template</b>	1020 x 485 x 10mm radius
<b>Min Cabinet Size</b>	600mm
<b>Tap holes</b>	Available 1 tap hole only
<b>Waste fittings</b>	1 x 90mm square basket waste included
<b>Overflow</b>	Not available
<b>Carton Size</b>	1140 x 595 x 290mm
<b>Weight</b>	16.5kg
<b>Warranty</b>	Lifetime manufacturer's warranty (refer to oliverisinks.com)

For more information call **1300 13 7465** or visit **www.oliverisinks.com**

