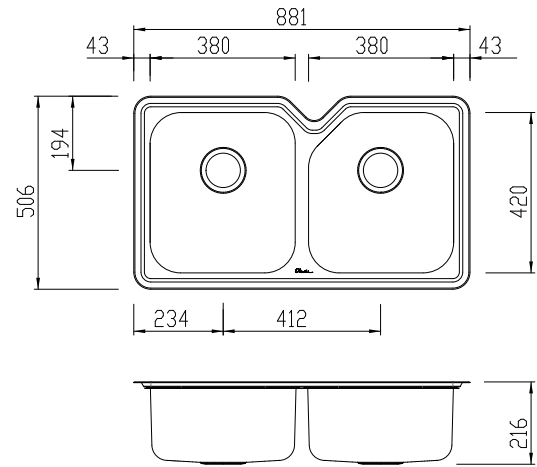


NP63U

Nu-Petite

Oliveri®



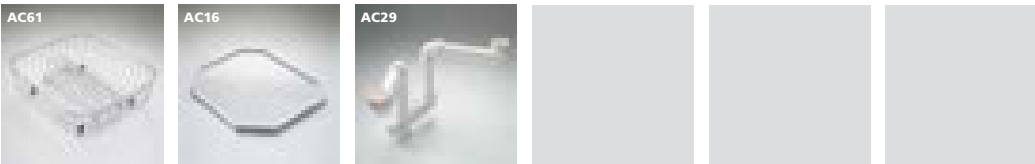
INCLUDED ACCESSORIES



RECOMMENDED TAPWARE



OPTIONAL ACCESSORIES



SPECIFICATIONS

Description

Double bowl undermount sink

Sink Size

881W x 506H

Main Bowl

380W x 420H x 200D / 30L

5 Side Bowl

380W x 420H x 200D / 28L

Construction

2 piece, bowls & drainer seam welded

Material

304 grade, 18/10 polished stainless steel (0.8mm thick)

Installation

Undermount recommended.

Fixings

n/a

Cut Out Template

oliverisinks.com

Min Cabinet Size

900mm

Tap holes

n/a

Waste fittings

2 x 90mm basket wastes included

Overflow

Not available

Carton Size

1043 x 607 x 292mm

Weight

12.0kg

Warranty

Lifetime manufacturer's warranty (refer to oliverisinks.com)

For more information call **1300 13 7465** or visit **www.oliverisinks.com**

