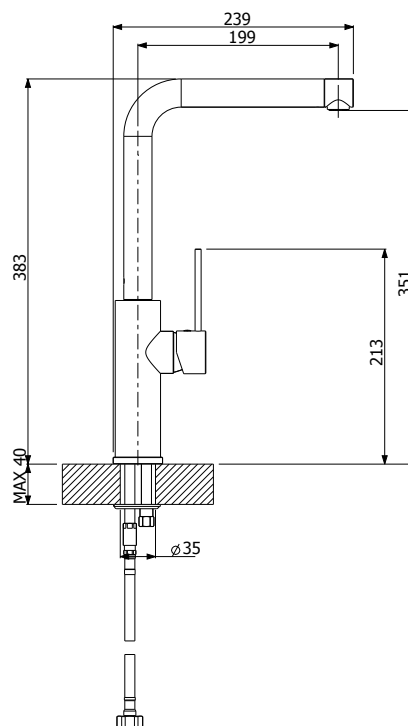


MT0039

Mito

Oliveri®



RECOMMENDED SINK RANGE

Professional Series



Sonetto



Nu-Petite / Nu-Petite finire



Oliveri

15 YEAR WARRANTY

SPECIFICATIONS

Description

Mito right angle mixer

Mixer Height

383mm

WELS Rating

4 star water efficiency

7.0 L per minute

Cartridge Size

35mm

Cartridge Type

Ceramic disc

Finish

Chrome (MT0039C) or Brushed (MT0039B)

Spout height

351mm

Maximum

Operating Pressure

600kpa

Origin

Made in Italy

Carton Size

490 x 390 x 75 mm

Weight

2.5 kg

Warranty

15 year warranty* (refer to oliverisinks.com)

For more information call **1800 13 7465** or visit **www.oliverisinks.com**



*15 year warranty consists of 5 year warranty only (parts and labour), plus an additional 10 year parts only.
 © Registered trademark of Tasman Sinkware. Under its policy of ongoing product development Tasman Sinkware may from time to time change product specification without notice.
 All dimensions given are approximate and should be checked prior to installation. See Oliveri installation instructions for installation details. March 2014 (V1).