

Serie | 2
**HBF133BS0A
Built-in Oven**

Included accessories

1 x enamel baking tray
1 x combination grid
1 x universal pan

Optional accessories

HEZ327000 : Pizza stone
HEZ625071 : Grill tray, anthracite enamelled
HEZ864000 : Glass tray

The built-in oven with 3D hot air: achieve perfect baking and roasting results on up to three levels simultaneously.

- **3D Hotair:** perfect results thanks to optimal distribution of heat on up to 3 levels simultaneously.
- **Pop-out controls:** for an easy to clean front.
- **EcoClean Direct:** almost no cleaning is necessary thanks to a special coating of the rear wall that automatically absorbs grime.
- Easy to clean grey enamel interior

Technical Data

Color / Material Front :	Stainless steel
Built-in / Free-standing :	Built-in
Integrated Cleaning system :	No
Required niche size for installation (HxWxD) :	575-597 x 560-568 x 550
Dimensions of the product (mm) :	595 x 594 x 548
Dimensions of the packed product (HxWxD) (mm) :	635 x 680 x 645
Control Panel Material :	Stainless steel
Door Material :	Glass
Net weight (kg) :	33.726
Usable volume of cavity (l) :	66
Cooking method :	Conventional heat, Full width variable grill, Hot Air, Hotair gentle, Hot air grilling
First cavity material :	Other
Temperature control :	No control of the temperature
Number of interior lights :	1
Approval certificates :	CE, VDE
Length electrical supply cord (cm) :	150
EAN code :	4242005047383
Number of cavities (2010/30/EC) :	1
Energy efficiency class (2010/30/EC) :	A
Energy consumption per cycle conventional (2010/30/EC) :	0.98
Energy consumption per cycle forced air convection (2010/30/EC) :	0.79
Energy efficiency index (2010/30/EC) :	95.2
Electrical connection rating (W) :	3300
Current (A) :	16
Voltage (V) :	220-240
Frequency (Hz) :	50; 60
Plug type :	no plug



4 242005 047383

Serie | 2 Ovens

HBF133BS0A

Built-in Oven

The built-in oven with 3D hot air: achieve perfect baking and roasting results on up to three levels simultaneously.

Dimensions

- Appliance dimensions (HxWxD): 595 mm x 594 mm x 548 mm
- Installation dimensions (HxWxD): 575 mm - 597 mm x 560 mm - 568 mm x 550 mm
- Please reference the built-in dimensions provided in the installation drawing

Heating Functions

- Oven with 5 heating methods:
 - 3D Hotair
 - Top/bottom heating
 - Hot air grilling
 - Hotair gentle
 - Grill - large area
- Temperature range 50 °C - 275 °C
- Rapid heating-up

Hook-in racks / rails

- Available as an additional accessory

Design

- Rotary control knobs, Retractable control knobs
- Enamel grey with 5 shelf positions
- Cavity volume: 66 l

Cleaning

- EcoClean Direct : back panel
- Full glass inner door

Convenience

- LED-display control (red)
- Electronic clock/timer with end time programming
- Drop down door
- Halogen lighting
- Cooling fan
- Bar handle
- Electronic functions: automatic start

Safety and Environment

- Triple glazed door
- Child lock function

Accessories

- 1 x enamel baking tray, 1 x combination grid, 1 x universal pan

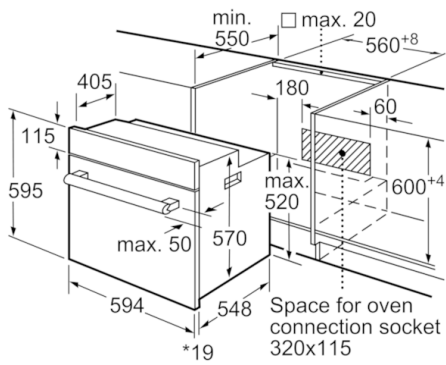
2 year warranty

Technical Info

- Length of mains cable: 150 cm
- Nominal voltage: 220 - 240 V
- Total connected load electric: 3.3 KW

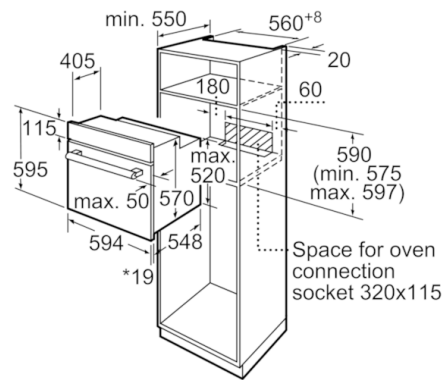
Serie | 2 Ovens

HBF133BS0A Built-in Oven



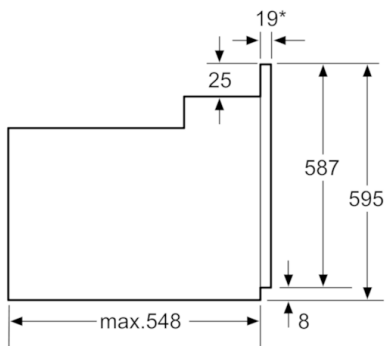
* 20 mm for metal fascias

measurements in mm



* 20 mm for metal fascias

measurements in mm



* 20 mm for metal fascias

Dimensions in mm