

HOME APPLIANCES

Ducting Installation

HAPL Ducting Kits



General Information

Viali have a range of ducting kits designed to safely expel the unwanted fumes and odours from the kitchen to the outside.

Traditionally Rangehoods were vented into the roof space of your home, where over time, created all kinds of issues. If the rangehood does not have ducting installed, the cooking residue can accumulate in the roof space, not only attracting pests, but it can also create damage to your ceiling as well as create a fire hazard.

This highlights/demonstrates the importance of having a ducting kit installed with your rangehood to not only ensure that you will have the optimum extraction/performance, but the risk of incident or injury will also be minimised.

Because ducting is normally out of sight, it is often not considered by many as an important part of the kitchen renovation, but of course it is. The importance of installing the correct ducting for your application is now becoming recognised, as is employing an experienced or qualified person to carry out the installation.

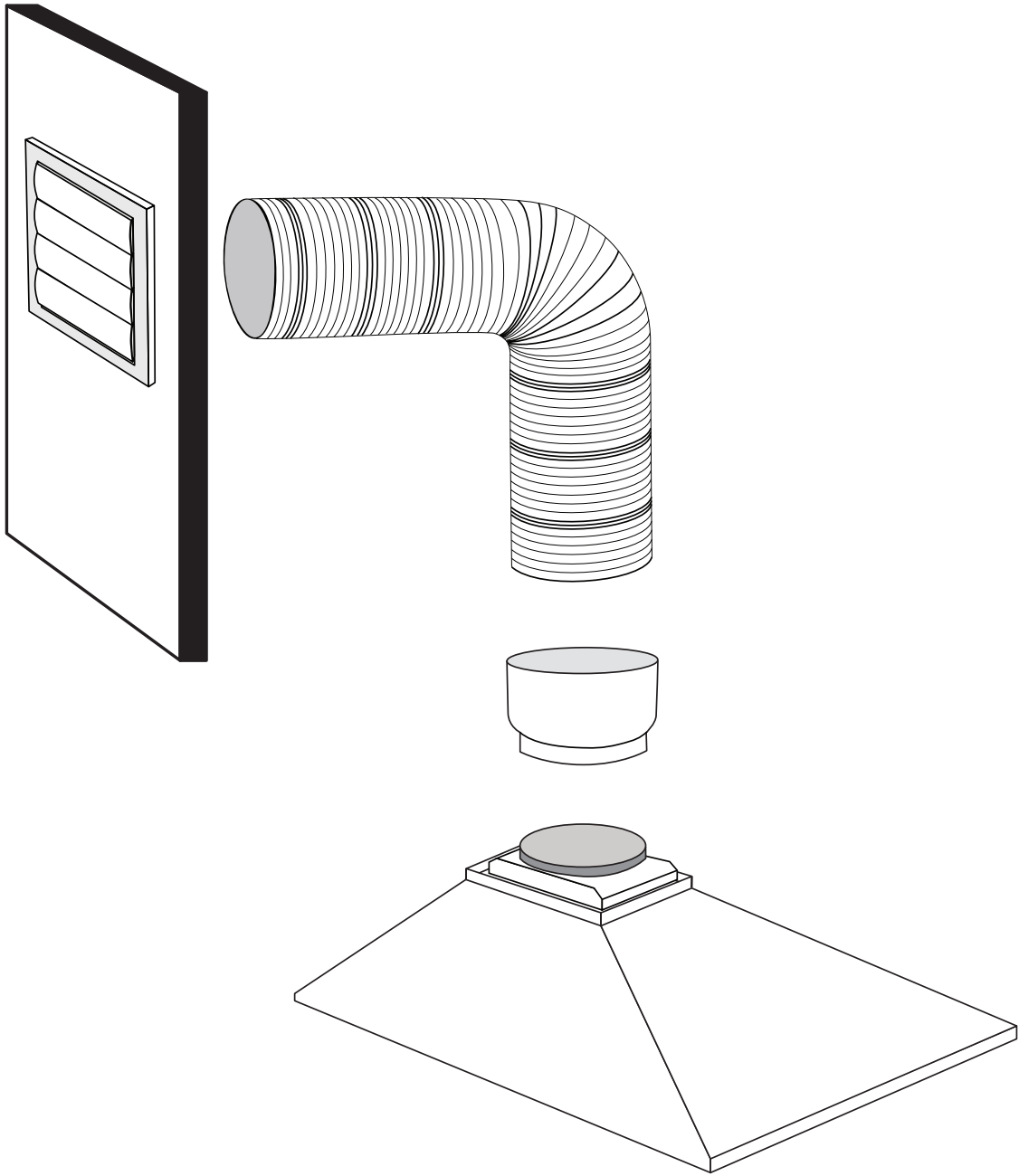
It is a requirement by the Australia Standards for rangehoods to be vented outside using ducting via the Wall, Eave or Roof. In ventilation installations the aim is normally to move the air from its source to the outside of the dwelling as efficiently and quietly as possible. This can be achieved by utilising the shortest and most direct route to the air exit point. In the event that there is an obstacle in the way, such as a bend, the process will become more difficult as the air will lose its momentum and require more power in order to achieve the aim.

This manual is a guide to assist in the installation of the available ducting kit purchased.

Guidelines

Here are a few installation guidelines to ensure the ducting kit selection is correct and installed in a way that optimises the rangehoods' performance.

- Choose the shortest and most direct route from the rangehood to outside atmosphere. Semi-rigid ducting should be stretched out first then cut to the shortest length required.
- Never decrease ducting size along a run as this will decrease ducting efficiency.
- Ensure that the amount of bends are kept to a minimum, ideally no bends should be present.
- Ensure all ducting pieces are securely fastened to reduce risk of noise from being present.
- All joins need to be sealed completely to ensure air does not escape during use.
- Regular cleaning of grease filters, normally every month, is required to maintain ducting efficiency throughout its life.



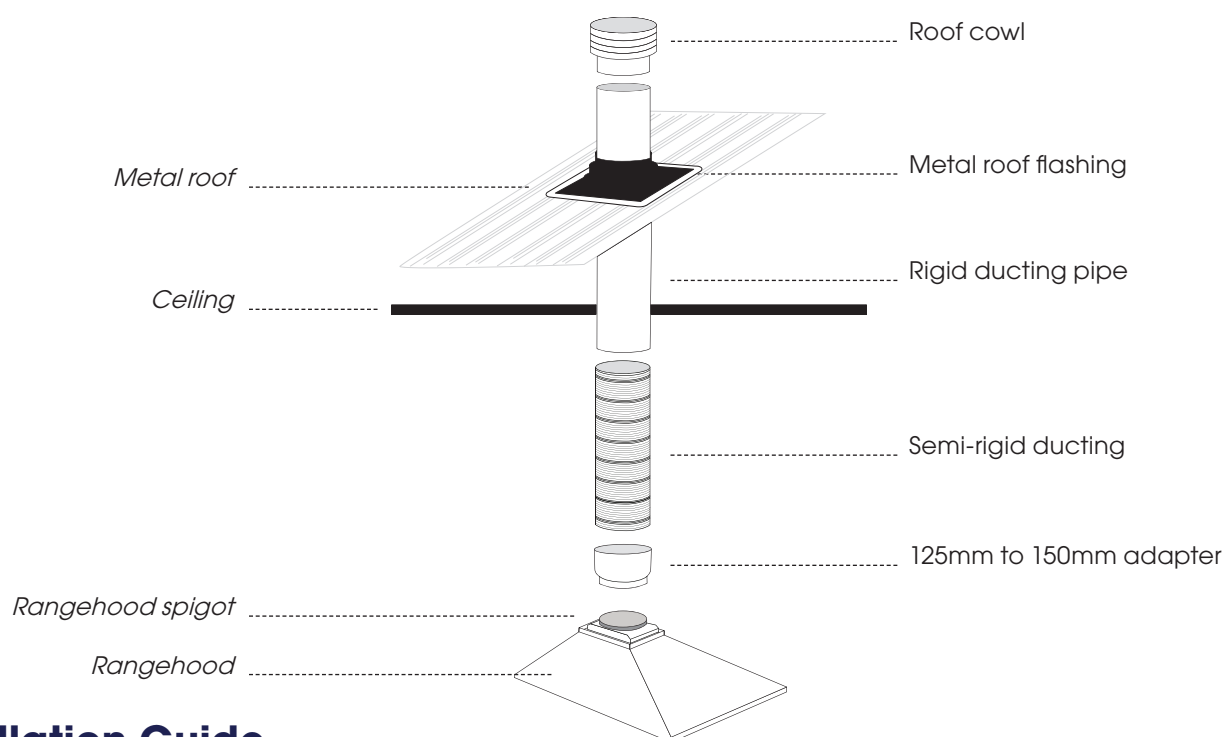
Contents

DKRM Metal Roof Ducting Kit	3
DKRT Tile Roof Ducting Kit	4
DKW Wall Ducting Kit	5
DKE Eave Ducting Kit	6

DKRM - METAL ROOF DUCTING KIT

CONTENTS OF KIT

- 1 x 610mm / 150mm diameter, rigid ducting pipe
- 1 x 3000mm / 150mm diameter, flexible semi rigid ducting pipe
- 1 x waterproof roof cowl
- 1 x metal roof flashing
- 1 x 125mm to 150mm duct adapter where spigot size is 120mm in diameter
- 2 x 165mm worm drive duct clamp - used to secure flexible semi-rigid ducting and flashing to rigid ducting pipe
- 1 x galvanised metal strap - to secure rigid ducting pipe to roof struts or joists
- 1 x 3.5mm diameter drill bit to drill holes for rivets to secure strap to rigid ducting pipe and roof cowl to rigid ducting pipe
- 10 x 3.2mm rivets
- 1 x 48mm wide ducting tape - to secure flexible semi-rigid ducting pipe to spigot and / or adapter



Installation Guide

Following installation of rangehood ensure correct positioning of the kit components, refer to above illustration. All kit components need to be installed securely to reduce noise levels and ensure optimum air flow. No gaps should be present that may affect flow of air through the ducting pipe. Holes made to house ducting pipe through ceiling should be sealed to stop dust or insects entering the house from the roof space above ceiling.

Rigid ducting pipe is secured to roof struts and or joists by means of the galvanised strap supplied. The strap is screwed to roof joists and or struts (screws not supplied) and secured to the ducting pipe with the rivets supplied. Drill holes in rigid ducting pipe with drill bit supplied and fix strap to pipe with rivets, then proceed to screw into available roof joists and or struts.

Metal roof flashing is fitted over the rigid ducting pipe. Rubber collar can be cut to match ducting size and must have a water tight seal against the pipe. Silicon not supplied, should be used at the top of the rubber collar to ensure it is correctly sealed against water penetration. Metal roof flashing can be moulded to all metal roof types and after being affixed a bead of silicon is recommended around the perimeter base of the metal roof flashing to ensure a water tight seal against the metal roofing.

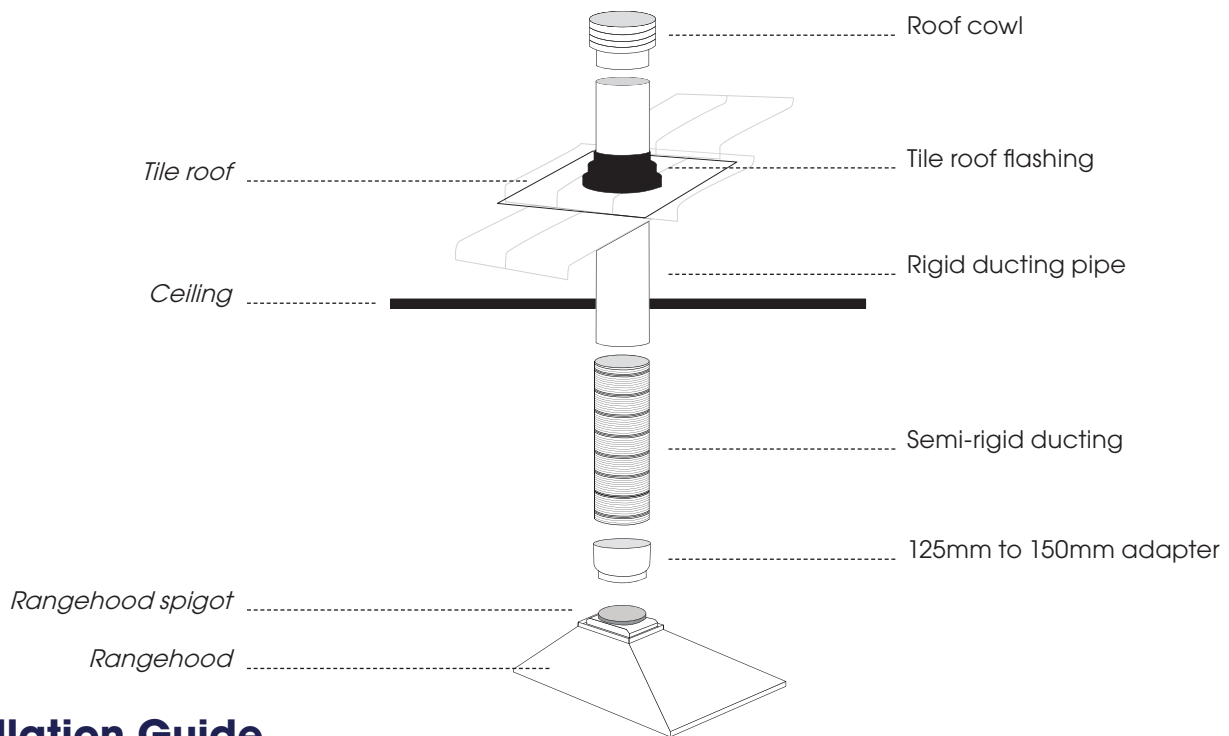
Fit 165mm worm drive duct clamp over rubber collar and tighten to ensure a water tight seal against the rigid ducting pipe. Fit waterproof roof cowl to top of rigid ducting pipe by means of 4 rivets.

Extend semi-rigid ducting pipe fully and cut the length required to fit to the base of solid ducting pipe and top of rangehood spigot or adapter, if utilised for use with rangehoods with a 120mm spigot. Secure both ends of the semi-rigid ducting pipe with the ducting tape supplied. If rangehood is a canopy type, fit decorative flue covers in place following installation of ducting.

DKRT - TILE ROOF DUCTING KIT

CONTENTS OF KIT

- 1 x 610mm / 150mm diameter, rigid ducting pipe
- 1 x 3000mm / 150mm diameter, flexible semi rigid ducting pipe
- 1 x waterproof roof cowl
- 1 x tile roof flashing
- 1 x 125mm to 150mm duct adapter where spigot size is 120mm in diameter
- 1 x 178mm worm drive duct clamp - used to secure flashing to rigid ducting pipe
- 1 x 165mm worm drive duct clamp - used to secure flexible semi-rigid ducting to rigid ducting pipe
- 1 x galvanised metal strap - to secure rigid ducting pipe to roof struts or joists
- 1 x 3.5mm diameter drill bit to drill holes for rivets to secure strap to rigid ducting pipe and roof cowl to rigid ducting pipe
- 10 x 3.2mm rivets
- 1 x 48mm wide ducting tape - to secure flexible semi-rigid ducting pipe to spigot and / or adapter



Installation Guide

Following installation of rangehood ensure correct positioning of the kit components, refer to above illustration. All kit components need to be installed securely to reduce noise levels and ensure optimum air flow. No gaps should be present that may affect flow of air through the ducting pipe. Holes made to house ducting pipe through ceiling should be sealed to stop dust or insects entering the house from the roof space above ceiling.

Rigid ducting pipe is secured to roof struts and or joists by means of the galvanised strap supplied. The strap is screwed to roof joists and or struts (screws not supplied) and secured to the ducting pipe with the rivets supplied. Drill holes in rigid ducting pipe with drill bit supplied and fix strap to pipe with rivets, then proceed to screw into available roof joists and or struts.

Tile roof flashing is fitted over the rigid ducting pipe. Rubber collar can be cut to match ducting size and must have a water tight seal against the pipe. Silicon not supplied, should be used at the top of the rubber collar to ensure it is correctly sealed against water penetration. Tile roof flashing can be moulded to fit all tile types and under tile edges in order to not restrict water flow over tiles during rainfall. Fit 178mm worm drive duct clamp over rubber collar and tighten to ensure a water tight seal against the rigid ducting pipe.

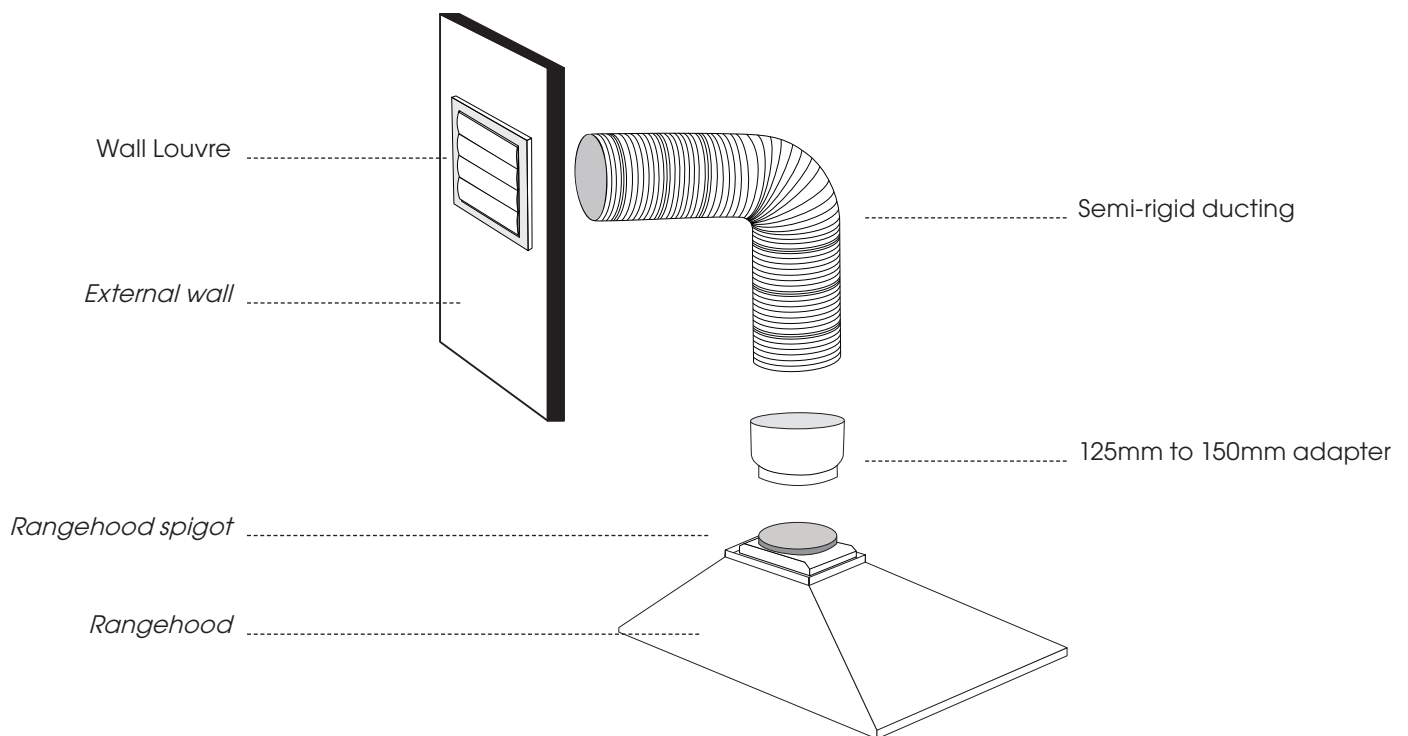
Fit waterproof roof cowl to top of rigid ducting pipe by means of 4 rivets.

Extend semi-rigid ducting pipe fully and cut the length required to fit to the base of solid ducting pipe and top of rangehood spigot or adapter, if utilised for use with rangehoods with a 120mm spigot. Secure both ends of the semi-rigid ducting pipe with the ducting tape supplied. If rangehood is a canopy type, fit decorative flue covers in place following installation of ducting.

DKW - WALL DUCTING KIT

CONTENTS OF KIT

- 1 x 1500mm / 150mm diameter, flexible semi rigid ducting pipe
- 1 x Louvre wall cover
- 1 x 125mm to 150mm duct adapter where spigot size is 120mm in diameter
- 4 x Wall anchor plugs
- 4 x 30mm screws to fit louvre wall cover
- 1 x 48mm wide ducting tape - to secure flexible semi-rigid ducting pipe to spigot and / or adapter and Louvre cover



Installation Guide

Following installation of rangehood ensure correct positioning of the kit components, refer to above illustration. All kit components need to be installed securely to reduce noise levels and ensure optimum air flow. No gaps should be present that may affect flow of air through the ducting pipe. Holes made to house ducting pipe through cupboards or wall should be sealed to stop dust or insects entering the house from the exterior of the house.

Extend semi-rigid ducting pipe fully and cut the length required to fit to the wall louvre and top of rangehood spigot or adapter, if utilised for use with rangehoods with a 120mm spigot. Secure both ends of the semi-rigid ducting pipe with the ducting tape supplied. It is recommended to fit the semi-rigid ducting pipe to the wall louvre first and secure with ducting tape then feed semi-rigid ducting pipe to inside from the exterior. Fit louvre wall cover to the outside with wall plug and screws supplied. Add a bead of silicon around the edge of the wall louvre cover to ensure a water tight seal. Depending on the wall type, different wall plugs may be required.

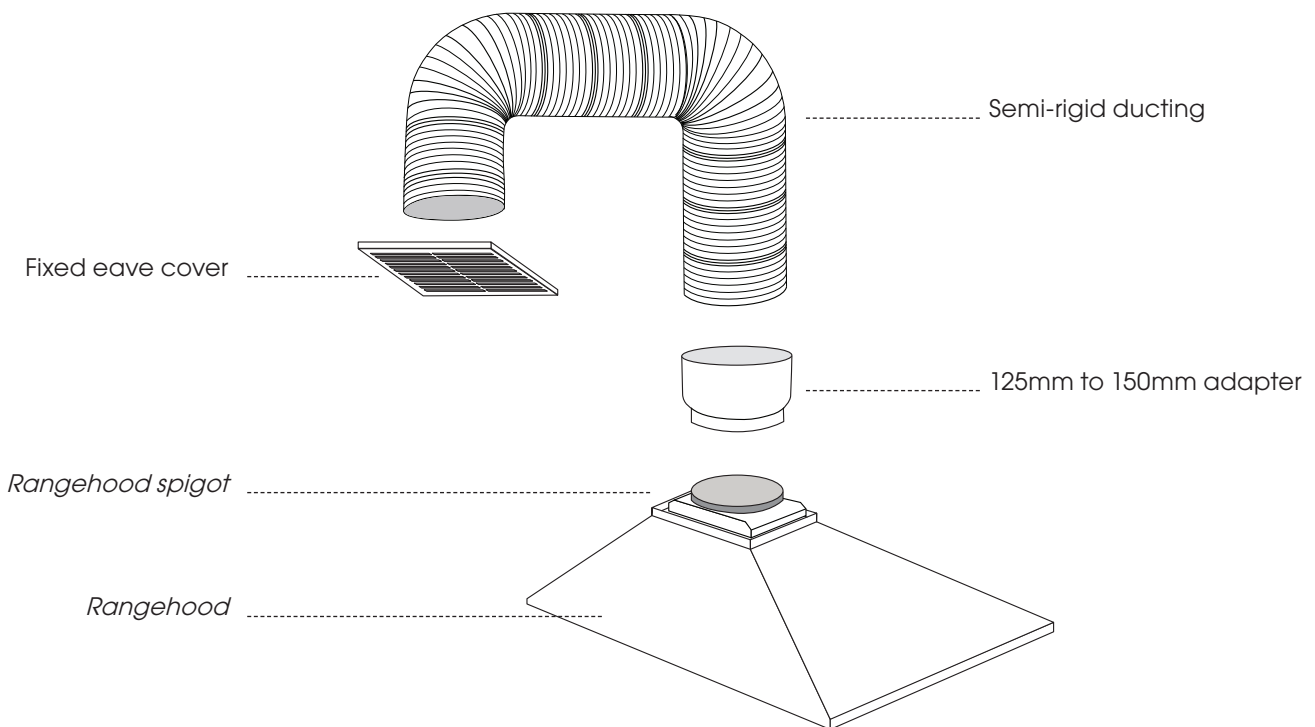
Bend and extend the semi-rigid ducting pipe as much as possible to ensure smooth air flow through ducting pipe. Secure the semi-rigid ducting pipe to top of the rangehood spigot or adapter with the ducting tape. Try to ensure the bends in the semi-rigid ducting pipe do not have acute angles present as this will restrict air flow that will also create higher noise levels during operation.

If rangehood is a canopy type, fit decorative flue covers in place following installation of ducting.

DKE - EAVE DUCTING KIT

CONTENTS OF KIT

- 1 x 3000mm / 150mm diameter, flexible semi rigid ducting pipe
- 1 x Fixed eave cover
- 1 x 125mm to 150mm duct adapter where spigot size is 120mm in diameter
- 4 x Anchor plugs
- 4 x 30mm screws to fit fixed eave cover
- 1 x 48mm wide ducting tape - to secure flexible semi-rigid ducting pipe to spigot and / or adapter and Louvre cover



Installation Guide

Following installation of rangehood ensure correct positioning of the kit components, refer to above illustration. All kit components need to be installed securely to reduce noise levels and ensure optimum air flow. No gaps should be present that may affect flow of air through the ducting pipe. Holes made to house ducting pipe through cupboards, eaves and ceiling should be sealed to stop dust or insects entering the house from the exterior of the house.

Extend semi-rigid ducting pipe fully and cut the length required to fit to the fixed eave cover and top of rangehood spigot or adapter, if utilised for use with rangehoods with a 120mm spigot. Secure both ends of the semi-rigid ducting pipe with the ducting tape supplied. It is recommended to fit the semi-rigid ducting pipe to the fixed eave cover first and secure with ducting tape then feed semi-rigid ducting pipe to inside from the exterior. Fit fixed eave cover to the outside with anchor plugs and screws supplied. Depending on the eave type, different anchor plugs may be required. Add a bead of silicon around the edge of the fixed eave louvre cover to ensure a water tight seal.

Bend and extend the semi-rigid ducting pipe as much as possible to ensure smooth air flow through ducting pipe. Secure the semi-rigid ducting pipe to top of the rangehood spigot or adapter with the ducting tape. Try to ensure the bends in the semi-rigid ducting pipe do not have acute angles present as this will restrict air flow that will also create higher noise levels during operation.

If rangehood is a canopy type, fit decorative flue covers in place following installation of ducting.



Distributed by:

Home Appliances Pty. Ltd.

20 Carlotta Street, Artarmon NSW 2064

Tel: 02 9958 3111 **Fax:** 02 9958 3555

Email: info@hapi.com.au

Website: www.hapi.com.au