

# BTIPO6S

60cm cabinet, 1 ¼ bowl with drainer sink

**BLANCO**



### Model Code

BTIPO6SL – left hand bowl  
BTIPO6SR – right hand bowl

### Inclusions

Designer Wastes  
Pre-fitted Polyethylene Seal  
Pre-fitted Sink Clips

### Warranty

30 Year Warranty

### Features

### Benefits

Made in Germany

Over 90 years of Stainless Steel know-how make Blanco one of the world leaders in sink manufacturing, which translates to superior products for your home

18/10 Surgical Grade Stainless Steel

Highest quality Stainless Steel provides a hygienic work surface for food preparation.

Brushed Finish

-Quality finish for optimal performance.  
-Easy maintenance.  
-Maintains its lustrous appearance.

Deep Profile Edge

-Strong rigid work surface.  
-Helps to prevent water escaping from the sink to your bench top.  
-Strength and stability

Raised Tap landing

Further elevates tap from water and helps to prevent grime build up at base of tap

Large 22L Capacity Main Bowl

Maximum bowl capacity easily accommodates large baking trays, pots and utensils.

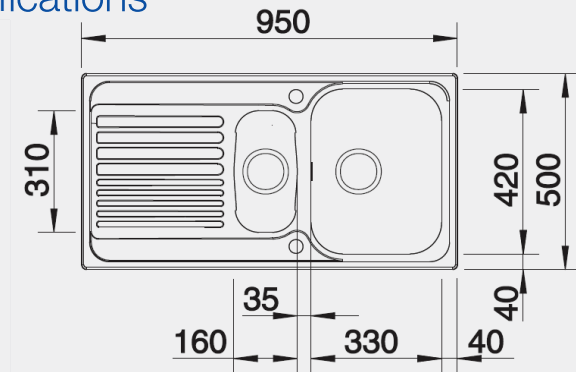
Practical Drainer Design

-Flat work Surface.  
-No dirt or grime build up.  
-No pooling of water during food preparation or draining dishes.

Bacteria Resistant Polyethylene Seal and Sink Clips Applied.

-Eliminates the risk of water penetrating the cabinet below.  
-Reduces installation time & costs.  
-For a Quick & Easy installation.

## Specifications



Dimensions:	950 x 500mm
Engineered:	18/10 Surgical Grade Stainless Steel
Bowl Depths:	160mm & 130mm
Bowl Sizes:	330mm x 420mm
Cut-out Size:	932 x 482 (15mm radius corners)
Standard Inclusions:	Designer Wastes Polyethylene Seal Sink Clips

### Optional Accessories:

BUCRBSS - Stainless Steel Crockery Basket  
MESCOLSS - Stainless Steel Colander  
MESCOLG - Grey Plastic Colander  
VIVAGCB - Cutting Board  
MESDRAING - Plastic Drainer