

BCT60GX

60cm Stainless Steel Gas Cooktop



Cast Iron Pan Support



High Efficiency Gas Burners



High Power Wok Burner



Integrated Electronic Ignition



Easy to Clean

Main Features

Cooking Zones:	3 x Standard Burners, 1 x Wok Burner
Control Type:	Front Controls
Construction Type:	Stainless Steel
Cast Iron Trivet:	Yes
Cooking Levels:	Variable
Cast Iron Wok Adapter:	Yes
Burner Caps:	Cast Iron
Adapt for LPG Gas:	Yes, via Included conversion kit
Suitable for Natural Gas:	Yes (factory configuration)
Gas Consumption:	37.1 Mj/h

Dimensions & Weights

Built-in dimensions (W x D):	560 mm x 480- 490 mm
Unpacked height:	46 mm
Unpacked width:	580 mm
Unpacked depth:	510 mm
Unpacked weight:	11.5 kg
Packed height:	180 mm
Packed width:	670 mm
Packed depth:	600 mm
Packed weight:	13 kg

Control Features

Electronic Ignition: Yes

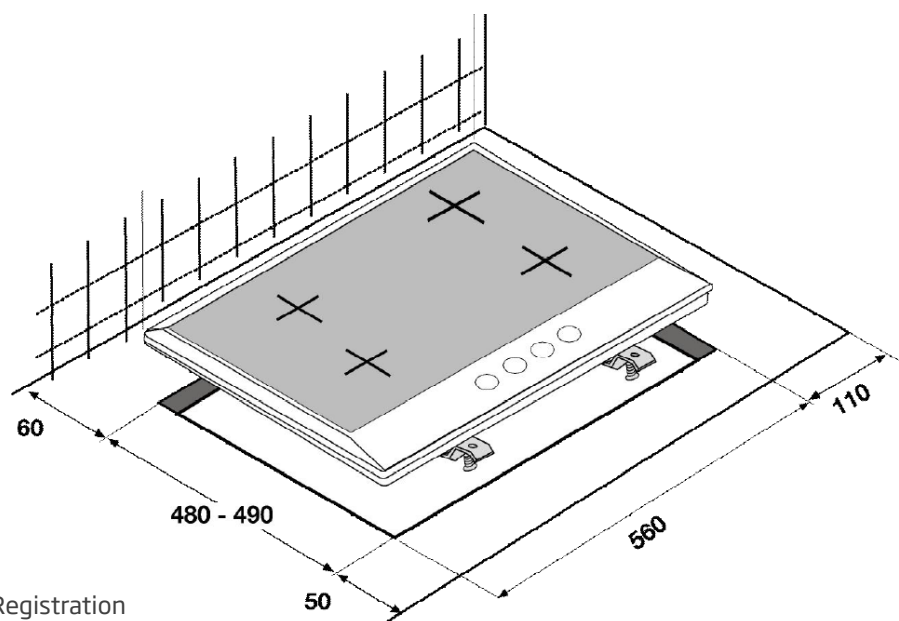
Safety

Flame Failure Device: Yes

Cooktop Zones

Rear Left Zone:	7.0 Mj/h
Rear Right Zone:	7.0 Mj/h
Front Left Zone:	19.0 Mj/h
Front Right Zone:	4.1 Mj/h

Ean Code: 8690842122743
 Manufacturers Warranty: 2 Years + 3 Years by Registration



Official partner of the *everyday*