

Eco & Quadra Sparkling Specification Sheet



Instant boiling,
chilled & sparkling
filtered water



XL Levered on font in Chrome

The Billi Sparkling systems are the ultimate drinking water appliances which deliver boiling, chilled & sparkling filtered water instantly. They deliver the following benefits:

Saturated sparkling system

The CO₂ injection system used in the Billi Sparkling range ensures the saturation of CO₂ in the water is high which means it has a better life and, consequently, taste.

Adjustable sparkling water

Adjust the level of sparkling to suit your taste with adjustable controls up to 5 bar of CO₂ pressure.

Adjustable chilled temperature

The new Billi sparkling models have an improved chilling capacity & recovery time. A simple adjustable control knob allows the chilled water temperature to be raised or lowered for chilled and refreshing drinks.

New Ice Bank technology for chilled and sparkling water

Our Ice bank technology has a chilled reservoir where both sparkling and chilled water supply passes through. In doing so, the dispensed water temperature is consistently chilled, also providing a higher level of carbonation.

Safety first

Billi's SplashFree boiling water delivery electronically varies the water flow, slowing momentarily to eliminate splashing as the water first enters the cup. All Billi dispensers are supplied standard with a safety switch.

Improved performance, increased chilled & sparkling cup capacity from 60 cups to 100 cups & 120 cups to 200 cups.

Packaging to include CO₂ canister.

Eco & Quadra Sparkling Specification Sheet

Specifications and guide to standard model selection

Product Number	Description	Suggested no. of persons	Chilled & sparkling cups / hour	Boiling cups / hour	Power required (amps)	Unit Height (mm)	Unit Width (mm)	Unit Depth (mm)
906000LCH	Eco Sparkling	10	100	90	2 x 10	C&S 410 Boiling 340	255 180	420 365
906060LCH	Quadra Sparkling 460	60	200	180	2 x 10	C&S 410 Boiling 340	255 180	420 465
906100LCH	Quadra Sparkling 4100	100	200	250	1 x 10 1 x 15	C&S 410 Boiling 340	255 180	420 465

Please note: The BCS Sparkling consists of two modules, the Chilled and Sparkling (C&S) module, and the Boiling module. All Models come in a range of dispenser options and finishes. The codes shown on this table are for XL Dispenser in Chrome only. You can view the options and Product Codes here: http://billi.com.au/wp-content/uploads/2015/08/Billi-Product-Selection-Guide_0217.pdf

Electrical installation requirements

The Eco Sparkling & Quadra Sparkling 460 consists of two modules and both require their own standard AU 10 amp power outlet. Quadra Sparkling 4100 requires 1 AU 10 amp & 1 AU 15 amp power outlet. Unit is supplied with a 1 metre flex cord and plug.

Water supply

A single 15mm (1/2") BSP stop-tap with a male thread should be installed in an easily accessible position. Water supply must be microbiologically safe to drink, with a minimum dynamic water pressure of 250kPa to a maximum of 1000kPa.

CO₂ Gas Cylinder

The CO₂ gas cylinder supplied must be secured in a suitable location. Each cylinder contains 1100g of CO₂ and should be installed in a well ventilated area. Each cylinder will provide between 200-350L of sparkling water depending on the unit settings. The MSDS is available on www.billi.com.au for a complete list of specifications and warnings. Replacement gas cylinders are available from Billi.

Warranty

All components of the Billi units are covered by a 24 month warranty. Filter cartridges are a consumable and are not covered by warranty, as water conditions and usage vary.

Technical Advice

Contact Billi Pty Ltd on 1800 812 321

Refer to installation guide for full details including ventilation requirements.

Filtration

Billi have partnered with globally recognised brand Pentair Everpure to create the most technologically advanced filtration for instant boiling and chilled filtered water systems. It removes sediment and chemicals, allows the flow of minerals through without scale build up and suppresses harmful bacteria in the water. Due to the unique Fibredyne™ technology, our filters have a longer life, higher flow rate and lower pressure drop, leaving you with healthy fresh water. All Billi cartridges are certified by NSF International.

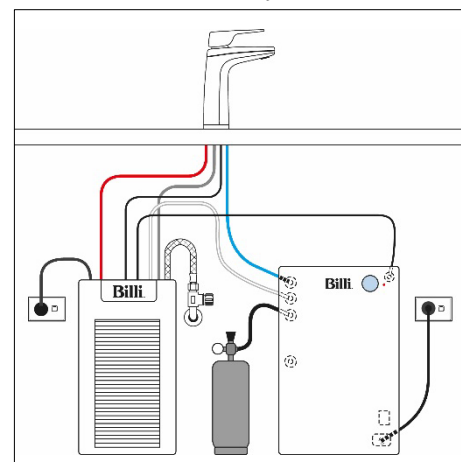
Filter changes are made simple by our swing-change system and replacement cartridges are available online at www.billi.com.au. Optional sub micron filters are available.

Certifications

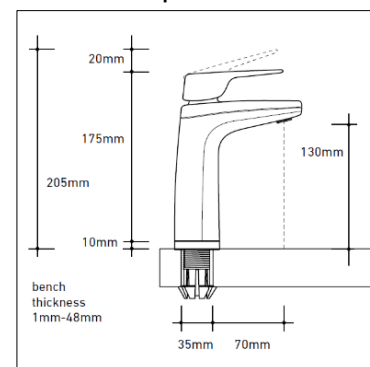
Every Billi drinking water appliance is manufactured under a certified quality control system. Billi Sparkling models have been tested and comply with all required standards including: Watermark; License Number 022690; Tested to; ATS5200.105 and AS/NZS4020; AS1428 Accessibility Design Requirements; ISO9001 Certificate Number QEC 11627.



Preferred installation layout



XL Levered tap dimensions



1 cup = 170ml. Based on the initial number of cups of boiling water immediately available, drawn one cup every 10 seconds. Consideration may be needed for usage patterns and draw-off methods.